



Traditionally Innovative

DURO



EN – FR – DE – NL – RU – ES – IT – AR

V03-01-2017

DURO

EN- Translation of original user instructions Duro semi-automatic slicer	5
FR- Notice d'utilisation originale Trancheuse semi-automatique Duro	17
DE- Übersetzung der Originalanleitung Halbautomatische Gatterschneidemaschine Duro	29
NL- Vertaling van de originele gebruikershandleiding Halfautomatische snijmachine Duro	41
RU. Перевод оригинального руководства по эксплуатации Полуавтоматическая хлеборезка Duro.....	53
ES- Traducción del manual de uso original Cortadora semiautomática Duro.....	65
IT- Traduzione delle informazioni sull'utilizzo originali Taglierina semiautomatica Duro.....	77
فرنسي - ترجمة دليل الاستخدام الأصلي أوتوماتيكية نصف عجينة قطاعة Duro.....	89

1	BEFORE COMMISSIONING	6
2	WARRANTY	6
3	WARNING.....	7
4	TECHNICAL SPECIFICATIONS	8
4.1	Technical specifications	8
4.2	Details of materials in direct contact with the bread.....	8
5	INSTALLATION AND COMMISSIONING	9
5.1	Unpacking the machine:	9
5.2	Positioning:	9
5.3	Electrical connection:	9
5.4	Commissioning:.....	10
5.5	Danger:	10
6	CONTROLS AND SAFETY FEATURES.....	10
6.1	Controls:.....	10
6.2	Work area:	10
6.3	Safety features:.....	11
7	OPERATION.....	11
8	MAINTENANCE.....	11
8.1	Daily, by a trained operator.	11
8.2	Every 25,000 loaves and/or at least once a year, by an approved agent.	12
8.3	Blade replacement.....	12
9	CONSUMABLES	14
9.1	List of CONSUMABLES	14
10	MALFUNCTIONS	15
11	LIST OF COMPONENTS IN ILLUSTRATIONS.....	16

1 BEFORE COMMISSIONING

Thank you for choosing a JAC system. It is essential that you read these instructions before installing and commissioning this machine. This will protect you and avoid damaging your machine.

These instructions refer to various illustrations in order to make them easier to understand. These illustrations are at the end of the instructions. Please refer to them whenever you see the following symbols: (fig.X, n°Y).

To ensure that your machine gives you full satisfaction over the coming years, we invite you to familiarise yourself with the following advice:

- Enlist the help of your approved agent for installation, commissioning and service support.
- In order to be covered by the 5-year warranty (see terms and conditions set out below), please have your dealer fill in the service booklet when your machine is installed. The service booklet is at the back of your machine.

2 WARRANTY



All JAC products are covered by a 5-year warranty.

This warranty is valid for all parts on your machine, including electronic components but excluding consumables. The warranty takes effect on the date the equipment is installed.

Subject to the following restrictive conditions:

- Equipment acquired from an approved dealer;
- Installation carried out by an approved agent;
- Equipment used in accordance with the instructions for use and for the intended purpose for which it was manufactured;
- Equipment serviced on a daily basis in compliance with the instructions for use;
- Regular servicing by the approved agent in compliance with service specifications, with at least one service per year (servicing chargeable to the user).
- Exclusive use of genuine JAC parts.



If there is no record of servicing by an approved agent and/or if the service booklet has not been filled in correctly, warranty cover will be limited to one year.

This warranty does not cover:

- Replacement of consumables (§9);
- Parts not accepted as defective by our company;
- Problems due to improper use of the equipment;
- Problems due to installation not carried out by an approved agent;
- Parts or problems due to transit damage or improper handling.

Repairing and/or replacing defective parts during the warranty period does not bring about an extension of said warranty.

3 WARNING

It is most important that these user instructions be kept with the machine for future reference. Should this machine be sold or transferred to another user, please ensure that the user instructions are handed over so that the new user can be familiarised with its operation and the associated warnings.



These warnings are given for your safety and that of others. We would therefore ask you to read them carefully before installing and using the machine.

This machine has been designed for use by authorised adults. Please therefore ensure that children do not touch it or use it as a toy.

This machine is intended exclusively for professional use.

It is dangerous to modify or attempt to modify the specifications of this machine.

After having installed this machine, please ensure that it is not standing on the power cable.

Follow the instructions given for its use.

This machine must be stored and used in an indoor room, protected from moisture and heat.

This machine must be adequately illuminated to operate it.

The noise level of this machine does not exceed 75 dB(A) in accordance with EN ISO 3744.

This machine must be used by one person at a time (unless otherwise specified).

This machine is intended for slicing baked bread which has cooled down.



This machine is not intended for the following breads and the following materials:

- Warm bread, stale bread.
- Frozen or partially thawed bread.
- Wholemeal breads with a hard crust and other types of bread with a hard crust.
- Rye breads.
- Non-edible products such as wood, plastic and similar materials.
- Any food that is not included in the bread and loaf cake category.

The machine may be damaged when cutting bread or materials for which the machine is not intended.



Always disconnect the mains supply before cleaning the machine inside/outside and when carrying out maintenance.

This machine is heavy. Take all necessary safety precautions when handling it.

4 TECHNICAL SPECIFICATIONS

4.1 Technical specifications

	DURO 450	DURO 450 M	DURO 600
Height (mm)	1243	1243	1243
Width (mm)	663	663	843
Depth (mm)	760	760	760
Entry channel length (mm)	320	320	320
Entry channel width (mm)	590	590	590
Entry channel height (mm)	160	160	160
Packaging (mm)	800 x 860 x 1600	800 x 860 x 1600	800 x 860 x 1600
Net weight (kg)	150	165	175
Net weight + packing (kg)	170	185	195
Motor power rating (kW)	0.49	0.49	0.49
Motor type	Single-phase or three-phase	Single-phase or three-phase	Single-phase or three-phase
220 V - 50 Hz (A)	5	5	5
380 V - 50 Hz (A)	3.2	3.2	3.2
Capacity (loaves/hour)	200<500	200<500	200<500
Noise level (dB)	<75	<75	<75

Heavy duty motor	optional
Bagger-blower	optional
4 cm added height	optional
8 cm added height	optional
Rear safety cover	optional
Double slice thickness	optional
Daily incremental counter	optional
Special colour	optional
Special blades	optional

4.2 Details of materials in direct contact with the bread.

Infeed table: STAINLESS STEEL 430

Loaf pusher: STAINLESS STEEL 430

Loaf holder: STAINLESS STEEL 430

Blades: Steel

Outfeed table: STAINLESS STEEL 430

Bagger: STAINLESS STEEL 430

5 INSTALLATION AND COMMISSIONING

5.1 Unpacking the machine:

Machines are delivered from our works on pallets, strapped and protected with cardboard. First of all, the packaging must be examined and any damage caused in transit must be declared directly to the carrier.

- A. Remove the cardboard and the packaging bag from the machine.
- B. Remove straps, taking particular care when they are released by cutting.
- C. Detach the machine from its pallet by removing the wooden battens wedging the castors.
- D. Take the machine off the pallet. Make sure you do this with at least two people in order to lower it as gently as possible onto the floor.
- E. Please fit the adjustable bagger stop to the bagger (fig.10, n°20).

After unpacking your machine, check that it has not been damaged in transit. Notify us of any defects.

5.2 Positioning:

In order to achieve excellent performance and long-term reliability, choose a location that is:

Well ventilated, shielded from direct sunlight and away from sources of heat, with a sturdy surface free from vibration.

5.3 Electrical connection:

IMPORTANT: This machine must be earthed.

It is recommended that the system be protected with a fuse and an RCD.

Your mains electricity supply to the machine must be protected as indicated below:

- North America: 15 A protection;
- Rest of the world: 16 A protection.

For machines equipped with a variable speed drive, it is imperative that they be connected to a junction box on a circuit fitted with a 300 mA RCD.

Note: Any problem resulting from any other type of connection will not be covered under warranty.

Before connecting your machine to the mains supply and in order to prevent the motor from burning out when it is switched on, it is important to check that the mains supply matches the machine specification (see machine nameplate).

This machine complies with Machinery Directives 2006/42, 2006/95, 2004/108 and is CE marked as proof of this.

Please familiarise yourself with the safety pictograms displayed on the machine:



This pictogram indicates a cut hazard. You will find it at the front of the machine around the loaf positioning area (fig.7, n°16).

You will find the circuit diagram for the machine on the back of the electrical enclosure door (fig.7, n°17).



This pictogram indicates an electrocution hazard. Please isolate the machine before carrying out any work on it. You will find it at the back of the machine close to the power cable and inside the machine on the electrical enclosure (fig.7, n°18).

5.4 Commissioning:

Before commissioning, ensure that there are no extraneous objects interfering with the machine's moving parts.

For machine operation, please refer to the "Operation" chapter.

5.5 Danger:

If the user or the machine is in danger, you must use the main isolator switch to cut the power supply to the machine.

Remove the plug from the power socket before any maintenance and/or servicing work.
Do not touch the blade, even if it is stationary.

To replace the blade, have the work done by your approved dealer.

Always wear cut-resistant gloves when replacing the blade or when working in the vicinity of the blade.

Any maintenance work or replacement of parts must be carried out by a qualified individual.

6 CONTROLS AND SAFETY FEATURES

6.1 Controls:

Your slicer is fitted as standard with an emergency stop button.
Your slicer may be fitted with a start button as an option (fig.11, n°23) (BEF – BEM).

6.2 Work area:

The work area is at the front of the machine (fig.3, n°15).

6.3 Safety features:

This machine is equipped with:

A lever that operates machine start-up and bread slicing. Releasing the lever causes the machine to stop.

A safety cut-out that prevents the machine from operating if the front table on a Misch type machine is in the open position (fig.11, n°22).

A safety cut-out that prevents the machine from operating if the cover (for machines fitted with a rear cover) is open (fig.13, n°27).

7 OPERATION

Braked castors must be locked while the machine is in operation (fig.1, n°11).

Switch on the power to the machine at the start of the day using the emergency stop (fig.1, n°10).

After switching on using the emergency stop and if your machine is fitted with a Misch lubrication system (BEF - BEM) the knife start button (fig.2, n°14) must be pressed in order to release the loaf pusher from the blades.

Operating procedure (fig.4)

- A. Pull the lever towards you. If your machine is fitted with a rear cover (optional) (BEG – BEG ETL - BET), the cover will open automatically when the lever is operated.
- B. While pulling and holding the lever, place the loaf on the rear table (fig.3, n°14), between the blades and the moving section.
- C. Release the lever gently. This action will cause the loaf to be pushed through the blades. Retrieve your sliced loaf once the lever has returned fully to its released position.

At the end of the day, press the red **emergency stop** button (fig.1, n°10) to switch the power off to the machine.

Tip: Have a qualified individual check blade tension after the first few days of operation.

Capacity: Number of loaves sliced per day: 6,000 (depending on the type of bread).

Loaf size (L x W x H) (cm):

12 x 6 x 6 min. - 44 x 31 x 16 max. (on 450 wide slicers)

12 x 6 x 6 min. - 58 x 31 x 16 max. (on 600 wide slicers)

8 MAINTENANCE

8.1 Daily, by a trained operator.

- A. Check whether you need to empty the crumb tray (fig.1, n°7).
- B. Clean the tables (fig.1, n°6) (fig.3, n°14) using a brush.
- C. Use a dry cloth to clean the inside.
- D. Use a damp cloth to clean the outside.

8.2 Every 25,000 loaves and/or at least once a year, by an approved agent.

Remove the plug from the socket (fig.2, n°13).

Check the condition of the cutting blades (fig.1, n°3).

If you notice a deterioration in cutting quality, the cutting blades must be replaced (JAC part number: 610026 in the JAC Spare Parts catalogue).

If the blades need to be replaced, do so in accordance with the blade replacement procedure (fig.5, 6).

NB: Do not overtighten the blades, as this risks distorting the frames.

Sweep and vacuum the inside of the machine.

Check bearing condition, then lubricate them.

Lubricate the actuator joints.

Check that your approved agent has recorded his work in your service booklet in order to maintain your 5-year warranty cover.

Additional maintenance for models with lubrication

The oil to be used is: 7940019 (as quoted in the JAC “spare parts” catalogue).

Or a food-grade liquid vegetable oil with a natural antioxidant.

Every 1,000 loaves or every 15 days, by a trained operator:

Add the dose of food-grade oil (100 to 150 ml) required to impregnate the felt pads on the carriage (operate the carriage advance button to enable access to the oil filler plug).

Every 25,000 loaves and/or at least once a year, by an approved agent:

Remove the plug from the socket.

Replace the pusher felt pads.

8.3 Blade replacement.

Always wear cut-resistant gloves (EN 388:2003 version B= 5) and safety footwear when replacing the blade or when working in the vicinity of the blade.

Ensure that the plug on your machine (fig.2, n°13) has been disconnected from the mains.

Non-Misch machines (BEF – BEH – BEL – BEL ETL – BER – BEZ)

(fig.5)

- A. Remove the two screws for the rear table and slide it rearwards in order to clear the front table.
- B. Release the bagger by removing the left and right-hand thumbscrews and remove the two cover screws.
- C. Open the cover and remove the two screws for the front table.
- D. Remove the front table.
- E. On the upper part of the front frame, remove screws **A**, which secure the frame to the polypropylene strips (never remove the strips from the frame, as you risk altering factory settings).
- F. Lay the frame down forwards. Replace the blades on the rear frame (place something to protect yourself on the front frame blades). Remove the blade-tightening Allen screws **B**. Replace the blades, checking that they locate correctly in the swing arm pins. Retighten the blades by tightening screws **B**, with the blades remaining on the frame as a reference.

Misch machines (BEG – BEG ETL – BET – BEM)

(fig.6)

- A. Pull the lever towards you in order to position the loaf pusher towards the rear of the machine and engage the lug that locks the loaf holder in the rear position.
- B. Remove the two screws for the rear table and slide it in order to clear the front table.
- C. Release the bagger by removing the left and right-hand thumbscrews and remove the two cover screws.
- D. Open the cover and remove the two screws for the front table.
- E. Remove the front table.
- F. On the upper part of the front frame, remove screws **A**, which secure the frame to the polypropylene strips (never remove the strips from the frame, as you risk altering factory settings).
- G. Lay the frame down forwards. Replace the blades on the rear frame (place something to protect yourself on the front frame blades). Remove the locknuts on screws **B**. Remove the blade-tightening Allen screws **B**. Replace the blades, checking that they locate correctly in the swing arm pins. Retighten the blades by tightening screws **B**, with the blades remaining on the frame as a reference. Then tighten the nuts.

In order not to distort the frame and avoid the risk of dangerous breakages, only replace 1 to 3 blades at a time alternating from left to right.

Resume the procedure from point 6 for the front frame and refit the front frame and the cover components.

Connect your machine to the mains supply; it is now ready.

Check that your approved agent has recorded his work in your service booklet in order to maintain your 5-year warranty cover.

9 CONSUMABLES

When ordering spare parts, check with your approved agent which part is required based on the spare parts catalogue issued by the manufacturer.
Always quote the machine serial number shown on the nameplate.
Your agent will place the orders with JAC.

9.1 List of CONSUMABLES

ITEM CODE	DESCRIPTION	MODEL
7240032	BELT	ALL
5690010	SLIDE PAD, 100 MM	ALL
5690020	FRAME STRIP	ALL
6110001	JAC KNIFE, 13 MM/0.5 MM	DURO 450
6110011	JAC KNIFE, 13 MM/0.5 MM + TEFLON	DURO 450M
6110019	JAC KNIFE, 13 MM/0.7 MM	DURO 600
5310019	LOAF HOLDER SPRING	ALL
5310026	LOAF HOLDER SPRING PLASTIC RING	ALL
5690151	LOAF HOLDER PAD	ALL
6120002	PUSHER FELT PAD	DURO 450M

10 MALFUNCTIONS

Problem	Check
The machine is not running	Connect the machine using the cable (fig.2, n°13).
	Unlock the emergency stop (fig.1, n°10).
	Close the cover.
	Close the door.
The machine is running, but the loaves are damaged or cut unevenly	Check whether the blades need replacing (fig.5,6).
	Leave the bread to cool down for a few hours.
	Feed in a loaf of the specified size.
	Feed in a loaf that is sufficiently firm. If the blades are misaligned, adjust the blades and frames.
The bread vibrates between the blades	If the blades are misaligned, adjust the blades and frames.
The bread is cut too slowly	Check whether the blades need replacing (fig.5,6).
	Check that the loaf holder springs are in place correctly (fig.8, n°19).
The bread tears	If the blades are misaligned, adjust the blades and frames.
	Check that the loaf holder springs are in place correctly (fig.8, n°19).
The bread emerges very slowly or remains between the blades	Check that the loaf holder springs are in place correctly (fig.8, n°19).
The bread is squashed coming out of the blades	Remove a loaf holder spring and repeat your test (fig.8, n°19).

WARNING: The machine must be isolated from the power supply before attempting any work on it.



Should the problem persist, please contact your technician.

11 LIST OF COMPONENTS IN ILLUSTRATIONS

Figure	Item	Description
1	1	Bagger
	2	Cover
	3	Blades
	4	Loaf holder
	5	Loaf pusher
	6	Front table
	7	Crumb tray
	8	Lever
	9	Cover thumbscrew
	10	Emergency stop button
	11	Castor
2	12	Carriage
	13	Power cable
3	14	Rear table
	15	Work area
7	16	"Cut hazard" sign
	17	Circuit diagram
	18	"Electrocution hazard" sign
8	19	Detachable loaf holder spring
9	20	Bagger adjustable stop
11	21	Misch folding table
	22	Misch table safety cut-out
	23	Misch start button
	24	Misch slicing counter
12	25	ASP blower
	26	Blower switch
13	27	Cover safety cut-out

1	AVANT LA MISE EN SERVICE.....	18
2	GARANTIE.....	18
3	AVERTISSEMENTS	19
4	CARACTERISTIQUES TECHNIQUES.....	20
4.1	Caractéristiques techniques.....	20
4.2	Détail des matériaux en contact direct avec le pain.....	20
5	INSTALLATION ET MISE EN SERVICE.....	21
5.1	Déconditionnement de la machine	21
5.2	Emplacement	21
5.3	Raccordement électrique.....	21
5.4	Mise en service	22
5.5	Danger	22
6	ORGANE DE COMMANDE ET DE SECURITE	22
6.1	Organe de commande.....	22
6.2	Zone de travail	22
6.3	Organes de sécurité.....	23
7	UTILISATION.....	23
8	ENTRETIEN.....	23
8.1	Journalier par un utilisateur formé	23
8.2	Toutes les 25 000 coupes et/ou 1 fois par an au minimum, par un agent agréé	24
8.3	Changement des lames.....	24
9	CONSOMMABLES.....	26
9.1	Liste des CONSOMMABLES.....	26
10	INCIDENTS DE FONCTIONNEMENT	27
11	LISTE DES COMPOSANTS SUR LES FIGURES.....	28

1 AVANT LA MISE EN SERVICE

Merci d'avoir choisi une solution JAC. Veuillez impérativement lire ce mode d'emploi avant d'installer et de mettre en service cette machine. Vous pourrez ainsi vous protéger et éviter de détériorer votre machine.

Cette notice fait référence à différentes figures afin de faciliter la compréhension des instructions. Ces figures se trouvent en fin de notice. Veuillez vous y référer dès que vous rencontrez les symboles suivants (fig.x, n°y).

Pour que votre machine vous donne entière satisfaction au cours des prochaines années, nous vous invitons à prendre connaissance des conseils suivants :

- Faites-vous aider par votre agent agréé pour l'installation, la mise en service et le suivi.
- Afin de pouvoir bénéficier de la garantie de 5 ans (voir conditions reprises ci-après), faites compléter le carnet d'entretien par votre distributeur lors de l'installation de votre machine. Ce carnet d'entretien se trouve à l'arrière de votre machine.

2 GARANTIE



JAC offre une garantie de 5 ans sur tous ses produits.

Cette garantie est valable sur toutes les pièces de votre machine, pièces électroniques incluses, hors consommables. La garantie prend effet à la date d'installation du matériel.

Sous les conditions restrictives suivantes :

- matériel acquis auprès d'un revendeur agréé ;
- installation effectuée par un agent agréé ;
- utilisation du matériel conformément aux indications du mode d'emploi et dans le but pour lequel il a été fabriqué ;
- matériel quotidiennement entretenu conformément aux indications du mode d'emploi ;
- entretiens suivis par l'agent agréé conformément aux spécifications d'entretien avec, au minimum, un entretien par an (entretien à charge de l'utilisateur) ;
- utilisation exclusive des pièces d'origine JAC.



S'il n'y a pas de suivi d'entretien par un agent agréé et/ou que le carnet d'entretien n'est pas correctement complété, la garantie se limite à un an.

Cette garantie ne couvre pas :

- le remplacement des consommables (§9) ;
- les pièces non reconnues défectueuses par nos services ;
- les problèmes résultant d'une utilisation anormale du matériel ;
- les problèmes résultant d'une installation non effectuée par un agent agréé ;
- les pièces ou les problèmes résultant d'un dégât de transport ou d'une manutention inappropriée.

Une réparation et/ou un remplacement de pièces défectueuses effectué(es) durant la période de garantie n'a (n'ont) pas pour effet de prolonger ladite garantie.

3 AVERTISSEMENTS

Il est très important que cette notice d'utilisation soit conservée avec l'appareil pour toute future consultation. Si cet appareil devait être vendu ou transféré à une autre personne, assurez-vous que la notice d'utilisation soit remise de façon à ce que l'utilisateur puisse être informé de son fonctionnement et des avertissements s'y rapportant.



Ces avertissements sont donnés pour votre sécurité et pour celle d'autrui. Nous vous prions donc de bien vouloir les lire attentivement avant d'installer et d'utiliser l'appareil.

Cette machine a été conçue pour être utilisée par des adultes autorisés. Veuillez donc à ce que les enfants n'y touchent pas ou qu'ils ne l'utilisent pas comme un jouet.

Cette machine est exclusivement réservée à un usage professionnel.

Il est dangereux de modifier ou d'essayer de modifier les caractéristiques de cette machine.

Après l'installation de cette machine, assurez-vous qu'elle ne repose pas sur le câble d'alimentation.

Suivez les instructions données pour l'utilisation.

Cette machine doit être stockée et utilisée à l'intérieur, dans un local à l'abri de l'humidité et de la chaleur.

Cette machine doit être suffisamment éclairée pour effectuer le travail.

Cette machine a un niveau sonore inférieur à 75 dB(A), suivant la norme EN ISO 3744.

Cette machine doit être utilisée par une seule personne à la fois (sauf prescription contraire).

Cette machine est destinée au tranchage de pains cuits et tempérés.



Cette machine n'est pas destinée aux pains et matériaux suivants :

- pains chauds, pains rassis ;
- pains congelés, ou partiellement décongelés ;
- pains complets avec une croûte dure et d'autres types de pain avec une croûte dure ;
- pains de seigle ;
- produits non comestibles comme le bois, le plastique et matériaux similaires ;
- tout aliment qui ne fait pas partie de la catégorie des pains ou des cakes.

La machine peut être endommagée lors de la coupe de pains ou matériaux non autorisés.



Toujours débrancher la prise de courant avant de procéder au nettoyage intérieur/extérieur de l'appareil et aux opérations de maintenance.

Cet appareil est lourd. Prenez toutes les précautions de sécurité lors de sa manutention.

4 CARACTERISTIQUES TECHNIQUES

4.1 Caractéristiques techniques

	DURO 450	DURO 450 M	DURO 600
Hauteur (mm)	1243	1243	1243
Largeur (mm)	663	663	843
Profondeur (mm)	760	760	760
Longueur du canal d'entrée (mm)	320	320	320
Largeur du canal d'entrée (mm)	590	590	590
Hauteur du canal d'entrée (mm)	160	160	160
Colisage (mm)	800 x 860 x 1600	800 x 860x 1600	800 x 860 x 1600
Poids net (kg)	150	165	175
Poids NET + emballage (kg)	170	185	195
Puissance moteur (kW)	0,49	0,49	0,49
Type moteur	Monophasé ou triphasé	Monophasé ou triphasé	Monophasé ou triphasé
220v - 50Hz (A)	5	5	5
380v - 50Hz (A)	3,2	3,2	3,2
Capacité (pains/heure)	200<500	200<500	200<500
Niveau sonore (dB)	<75	<75	<75

Moteur renforcé	option
Souffleuse ensacheuse	option
Surélévation de 4 cm	option
Surélévation de 8 cm	option
Capot de sécurité arrière	option
Double tranche	option
Compteur journalier	option
Couleur spéciale	option
Couteaux spéciaux	option

4.2 Détail des matériaux en contact direct avec le pain

Table d'entrée : INOX 430

Pousse-pains : INOX 430

Presse-pains : INOX 430

Lames : Acier

Table de sortie : INOX 430

Ensachoir : INOX 430

5 INSTALLATION ET MISE EN SERVICE

5.1 Déconditionnement de la machine

Les machines sont livrées, sorties de nos ateliers, sur palettes, sanglées et protégées par du carton. Avant toute chose, l'emballage doit être observé et tout dommage dû au transport doit être déclaré directement au livreur.

- A. Retirer le carton ainsi que le sachet d'emballage de la machine.
- B. Enlever les sangles en faisant particulièrement attention à la détente de ces dernières lors de leur sectionnement.
- C. Désolidariser la machine de sa palette en enlevant les lattes de bois qui bloquent les roulettes.
- D. Descendre la machine de la palette. Veiller à faire cette manipulation à au moins deux personnes afin d'amortir au mieux le contact avec le sol.
- E. Mettre en place la butée réglable d'ensachoir sur l'ensachoir (fig.10, n°20).

Après déballage de la machine, vérifier qu'elle n'a pas subi de dommages pendant le transport. Nous signaler toute anomalie.

5.2 Emplacement

Pour obtenir d'excellentes performances et une fiabilité à long terme, choisir un emplacement :

Bien ventilé, à l'abri du rayonnement solaire direct et éloigné des sources de chaleur, avec une surface robuste exempte de vibrations.

5.3 Raccordement électrique

IMPORTANT : Mise à la terre obligatoire.

Il est conseillé de protéger l'installation avec un fusible et un disjoncteur différentiel.

Votre installation électrique alimentant la machine doit être protégée comme indiqué ci-dessous :

- Amérique du Nord : Protection 15A ;

- Reste du monde : Protection 16A.

Pour les machines équipées d'un variateur, celles-ci doivent être impérativement raccordées à une boîte de dérivation sur une ligne équipée d'un différentiel de 300mA.

Note : Tout problème résultant d'un autre type de raccordement ne sera pas pris en compte par la garantie.

Avant de connecter la machine au réseau et afin d'éviter une mise hors service du moteur à la mise sous tension, il est important de vérifier la concordance du réseau d'alimentation avec les caractéristiques de la machine (voir plaque signalétique de celle-ci).

Cet appareil est conforme aux Directives Machines 2006/42, 2006/95, 2004/108 et porte le marquage CE attestant cette conformité.

Veillez prendre connaissance des pictogrammes de sécurité figurant sur la machine :



Pictogramme signalant un risque de coupure. Vous le retrouverez à l'avant de la machine autour de la zone de dépose du pain (fig.7, n°16).

Vous trouverez le schéma électrique de la machine sur le verso de la porte du coffret électrique (fig.7, n°17).



Pictogramme signalant un risque d'électrocution. Veuillez débrancher la machine avant toute intervention sur celle-ci. Vous retrouverez ce pictogramme à l'arrière de la machine à proximité du câble d'alimentation et à l'intérieur de la machine sur le coffret électrique (fig.7, n°18).

5.4 Mise en service

Avant la mise en service, s'assurer de l'absence de tout objet parasite sur les parties en mouvement de la machine.

Pour l'utilisation de la machine, se reporter au chapitre « Utilisation ».

5.5 Danger

En cas de danger pour l'utilisateur ou pour la machine, utiliser l'interrupteur général pour couper l'alimentation de la machine.

Retirer la fiche de la prise électrique avant toute opération de maintenance et d'entretien.
Ne pas toucher la lame, même à l'arrêt.

Pour le changement de lame, faire faire l'opération par votre distributeur agréé.

Veiller à toujours porter des gants de protection anti-coupure lors du remplacement de la lame ou lors d'une opération au voisinage des lames.

Toute opération de maintenance ou de remplacement de pièce doit être effectuée par une personne qualifiée.

6 ORGANE DE COMMANDE ET DE SECURITE

6.1 Organe de commande

Votre trancheuse est équipée de série d'un bouton d'arrêt d'urgence.
Votre trancheuse peut être équipée d'un bouton de mise en route en option (fig.11, n°23) (BEF – BEM).

6.2 Zone de travail

La zone de travail se situe devant la machine (fig.3, n°15).

6.3 Organes de sécurité

Cette machine est équipée :

D'un levier qui actionne la mise en marche de la machine et la coupe du pain. Le relâchement du levier entraîne l'arrêt de la machine.

D'un interrupteur de sécurité qui empêche la machine de fonctionner quand la table avant d'une machine de type Misch est en position 'ouvert' (fig.11, n°22).

D'un interrupteur de sécurité qui empêche la machine de fonctionner quand le capot (machine équipée d'un capot arrière) est ouvert (fig.13, n°27).

7 UTILISATION

Les roulettes pourvues d'un frein doivent être bloquées pour l'utilisation (fig.1 n°11).

En début de journée, mettre la machine sous tension à l'aide de l'arrêt d'urgence (fig.1, n°10). Après une mise sous tension à l'aide de l'arrêt d'urgence et si votre machine est équipée d'un système d'huilage Misch (BEF - BEM), il est obligatoire d'appuyer sur le bouton de mise en marche des couteaux (fig.2, n°14) afin de libérer le pousse-pains des lames.

Procédure d'utilisation (fig.4)

- A. Tirer le levier vers soi. Si la machine est équipée d'un capot arrière (option) (BEG – BEG ETL - BET), celui-ci s'ouvre automatiquement avec l'actionnement du levier.
- B. En maintenant le levier tiré, placer le pain sur la table arrière (fig.3, n°14), entre les lames et la partie mobile.
- C. Relâcher doucement le levier. Cette action a pour effet de pousser le pain à travers les lames. Une fois le levier complètement relâché, récupérer le pain coupé.

En fin de journée, appuyer sur le bouton rouge **d'arrêt d'urgence (fig.1, n°10)** pour mettre la machine hors tension.

Conseil : Après les premiers jours de travail, faire contrôler la tension des lames par une personne qualifiée.

Capacité : Nombre de pains coupés par jour : 6000 (en fonction du type de pain).

Dimensions du pain (L x l x h) (cm) :

min. 12 x 6 x 6 - max. 44 x 31 x 16 (sur trancheuse en 450 de large).

min. 12 x 6 x 6 - max. 58 x 31 x 16 (sur trancheuse en 600 de large).

8 ENTRETIEN

8.1 Journalier par un utilisateur formé

- A. Vérifier s'il ne faut pas vider le bac à miettes (fig.1, n°7).
- B. Nettoyer les tables (fig.1, n°6) (fig.3, n°14) à l'aide d'une brosse.
- C. Utiliser un chiffon sec pour le nettoyage intérieur.
- D. Pour l'entretien extérieur, utiliser un chiffon humide.

8.2 Toutes les 25 000 coupes et/ou 1 fois par an au minimum, par un agent agréé

Retirer la fiche de la prise (fig.2, n°13).

Vérifier l'état des lames de coupe (fig.1, n°3).

Si une dépréciation de la qualité de la coupe est notée, il faut procéder au remplacement des lames de coupe (référence JAC : 610026 du catalogue de Pièces de Rechange JAC).

Si elles sont à changer, remplacer les lames conformément à la procédure de changement des lames de coupe (fig.5, 6).

NB : Ne pas tendre les lames à l'excès, au risque de déformer les cadres.

Nettoyer à la brosse et aspirer l'intérieur de la machine.

Vérifier l'état des roulements, ensuite graisser ceux-ci.

Graisser les articulations du vérin.

Bien vérifier que votre agent agréé enregistre son intervention dans votre carnet d'entretien afin de conserver votre garantie de 5 ans.

Complément d'entretien pour les modèles avec huilage

**L'huile à utiliser est : 7940019 (comme mentionné dans le catalogue JAC « pièces détachées »
Ou une huile végétale liquide alimentaire avec antioxydant naturel**

Toutes les 1000 coupes ou tous les 15 jours, par un utilisateur formé :

Ajouter la dose d'huile alimentaire (100 à 150 ml) nécessaire pour imbiber les feutres du CHARIOT (actionner le bouton d'avance chariot pour permettre l'accès au bouchon d'alimentation d'huile).

Toutes les 25 000 coupes et/ou 1 fois par an au minimum, par un agent agréé :

Retirer la fiche de la prise.

Remplacer les feutres du poussoir.

8.3 Changement des lames

Veiller à toujours porter des gants de protection anti-coupure (Norme EN 388 : 2003 indice B= 5) et des chaussures de sécurité lors du remplacement de la lame ou lors d'une opération au voisinage des lames.

S'assurer que la fiche de la machine (fig.2, n°13) est bien déconnectée du secteur.

Machines non Misch (BEF – BEH – BEL – BEL ETL – BER – BEZ)

(fig.5)

- A. Dévisser les deux vis de la table arrière et la faire glisser vers l'arrière afin de dégager la table avant.
- B. Dévisser l'ensachoir à l'aide de la molette de gauche, la molette de droite et dévisser les deux vis de la coiffe.
- C. Ouvrir la coiffe et dévisser les deux vis de la table avant.
- D. Retirer la table avant.
- E. Sur la partie supérieure du cadre avant, desserrer les vis **A** qui fixent le cadre aux lamelles de polypropylène (ne jamais démonter les lamelles de la carcasse, vous risqueriez de modifier les réglages d'usine).
- F. Coucher le cadre vers l'avant. Remplacer les lames du cadre arrière (déposer de quoi se protéger sur les lames du cadre avant). Desserrer les vis **B** 6 pans creux qui tendent les lames. Remplacer les lames en contrôlant qu'elles soient bien placées dans l'ergot des balanciers.



Retendre les lames en serrant les vis **B** avec, comme repère pour la tension, les lames restées sur le cadre.

Machines Misch (BEG – BEG ETL – BET – BEM)

(fig.6)

- A. Tirer le levier vers soi afin de placer le pousse-pains vers l'arrière de la machine et actionner la patte qui permet de bloquer le presse-pains en arrière.
- B. Dévisser les deux vis de la table arrière et faire glisser la table arrière afin de dégager la table avant.
- C. Dévisser l'ensachoir à l'aide de la molette de gauche, la molette de droite et dévisser les deux vis de la coiffe.
- D. Ouvrir la coiffe et dévisser les deux vis de la table avant.
- E. Retirer la table avant.
- F. Sur la partie supérieure du cadre avant, desserrer les vis **A** qui fixent le cadre aux lamelles de polypropylène (ne jamais démonter les lamelles de la carcasse, vous risqueriez de modifier les réglages d'usine).
- G. Coucher le cadre vers l'avant. Remplacer les lames du cadre arrière (déposer de quoi se protéger sur les lames du cadre avant). Desserrer les contre-écrous vissés sur les vis **B**. Desserrer les vis **B** 6 pans creux qui tendent les lames. Remplacer les lames en contrôlant qu'elles soient bien placées dans l'ergot des balanciers. Retendre les lames en serrant les vis **B** avec, comme repère pour la tension, les lames restées sur le cadre. Serrer ensuite les écrous.

Afin de ne pas déformer le cadre et de ne pas risquer de casses dangereuses, ne remplacer que 1 à 3 lame(s) à la fois en alternant de gauche à droite.

Recommencer la procédure du point 6 pour le cadre avant et remonter le cadre avant ainsi que les éléments d'habillage.

Connecter la machine au réseau électrique, la machine est prête.

Bien vérifier que votre agent agréé enregistre son intervention dans votre carnet d'entretien afin de conserver votre garantie de 5 ans.

9 CONSOMMABLES

Lors d'une commande d'une pièce de rechange, vérifier avec votre agent agréé de quelle pièce il s'agit sur la base du catalogue de pièces de rechange émis par le fabricant.

Toujours préciser le numéro de machine comme indiqué sur la plaque signalétique.

Votre agent effectue les commandes auprès de JAC.

9.1 Liste des CONSOMMABLES

CODE ARTICLE	LIBELLE	MODELE
7240032	COURROIE	TOUTES
5690010	PATIN DE GLISSIERE 100MM	TOUTES
5690020	LAMELLE DE CADRES	TOUTES
6110001	COUTEAU JAC 13MM/0,5MM	DURO 450
6110011	COUTEAU JAC 13MM/0,5MM + TEFLON	DURO 450M
6110019	COUTEAU JAC 13MM/0,7MM	DURO 600
5310019	RESSORT PRESSE-PAIN	TOUTES
5310026	RESSORT PRESSE PAIN ANNEAU PLASTIQUE	TOUTES
5690151	PATIN PRESSE PAIN	TOUTES
6120002	FEUTRE POUSSOIR	DURO 450M

Problème	Vérification
La machine ne tourne pas	Brancher la machine à l'aide du câble (fig.2, n°13)
	Déverrouiller l'arrêt d'urgence (fig.1, n°10)
	Fermer le capot
	Fermer la porte
La machine fonctionne, mais les pains sont endommagés ou coupés de manière irrégulière	Vérifier s'il ne faut pas remplacer les lames (fig.5, 6)
	Laisser le pain refroidir quelques heures
	Introduire un pain aux dimensions acceptées
	Introduire un pain assez ferme
	Si les lames sont désalignées, régler les lames et les cadres
Le pain vibre dans les lames	Si les lames sont désalignées, régler les lames et les cadres
Le pain se coupe trop lentement	Vérifier s'il ne faut pas remplacer les lames (fig.5, 6)
	Vérifier que les ressorts du presse-pains sont bien en place (fig.8, n°19)
Le pain se déchire	Si les lames sont désalignées, régler les lames et les cadres
	Vérifier que les ressorts du presse-pains sont bien en place (fig.8, n°19)
Le pain sort très lentement ou reste dans les lames	Vérifier que les ressorts du presse-pains sont bien en place (fig.8, n°19)
Le pain est écrasé en sortie des lames	Enlever un ressort du presse-pains et recommencer votre test (fig.8, n°19)

ATTENTION : La machine doit obligatoirement être mise hors tension pour toute intervention.



Si le problème persiste, veuillez contacter votre technicien.

11 LISTE DES COMPOSANTS SUR LES FIGURES

Figure	Bulle	Nom
1	1	Ensachoir
	2	Coiffe
	3	Lames
	4	Presse-pains
	5	Pousse-pains
	6	Table avant
	7	Bac à mies
	8	Levier
	9	Molette de coiffe
	10	Bouton d'arrêt d'urgence
	11	Roulettes
2	12	Chariot
	13	Câble d'alimentation
3	14	Table arrière
	15	Zone de travail
7	16	Signalétique « risque de coupure »
	17	Schéma électrique
	18	Signalétique « risque d'électrocution »
8	19	Ressort de presse-pains décrochable
9	20	Butée réglable d'ensachoir
11	21	Table rabattable Misch
	22	Interrupteur de sécurité table Misch
	23	Bouton de mise en route Misch
	24	Compteur de coupe Misch
12	25	Souffleuse ASP
	26	Interrupteur de souffleuse
13	27	Interrupteur de sécurité capot

1	VOR DER INBETRIEBNAHME	30
2	GARANTIE.....	30
3	WARNHINWEISE	31
4	TECHNISCHE DATEN.....	32
4.1	Technische Daten	32
4.2	Materialien, die in Kontakt mit dem Brot kommen	33
5	INSTALLATION UND INBETRIEBNAHME.....	33
5.1	Auspacken der Maschine:	33
5.2	Aufstellung:	33
5.3	Anschluss an die Stromversorgung:	33
5.4	Inbetriebnahme:	34
5.5	Gefahr:	34
6	BEDIENELEMENT UND SICHERHEITSVORRICHTUNG.....	35
6.1	Bedienelement:	35
6.2	Arbeitsbereich:	35
6.3	Sicherheitseinrichtungen:	35
7	BEDIENUNG.....	35
8	INSTANDHALTUNG.....	36
8.1	Taglich durch einen eingewiesenen Bediener:.....	36
8.2	Nach 25.000 Schnitten und/oder mindestens ein Mal jahrlich durch einen zugelassenen Vertreter:	36
8.3	Austausch der Messer	36
9	ERSATZTEILE.....	38
9.1	ERSATZTEILLISTE	38
10	STÖRUNGEN UND FEHLER.....	39
11	LISTE DER ABGEBILDETEN TEILE UND FUNKTIONEN	40

1 VOR DER INBETRIEBNAHME

Vielen Dank, dass Sie sich für ein Gerät von JAC entschieden haben. Bitte lesen Sie diese Bedienungsanleitung vor der Installation und Inbetriebnahme dieser Maschine aufmerksam durch. Dies dient zu Ihrer Sicherheit und zum Schutz der Maschine vor Schäden.

Diese Bedienungsanleitung enthält Verweise auf verschiedene Abbildungen, die das Verständnis der Anleitungen erleichtern. Die Abbildungen befinden sich am Schluss der Bedienungsanleitung. Bitte schlagen Sie die jeweilige Abbildung anhand des angegebenen Verweises (Fig. X, Nr. Y) nach.

Damit Sie sich viele Jahre an dieser Maschine erfreuen können, möchten wir Sie bitten, die folgenden Hinweise zu berücksichtigen:

- Lassen Sie sich bei der Installation, der Inbetriebnahme und der weiteren Nutzung von Ihrem zugelassenen Vertreter unterstützen.

- Um die Garantie von fünf Jahren (siehe nachfolgende Garantiebestimmungen) in Anspruch nehmen zu können, lassen Sie bitte von Ihrem Vertriebshändler bei der Installation Ihrer Maschine das Wartungsheft ausfüllen. Das Wartungsheft befindet sich an der Rückseite Ihrer Maschine.

2 GARANTIE



JAC bietet auf alle seine Produkte eine Garantie von fünf Jahren.

Diese Garantie erstreckt sich auf alle Teile Ihrer Maschine, auch auf die elektronischen Bauteile, außer Verschleißteile. Die Garantiefrist beginnt zum Zeitpunkt der Installation der Anlage.

Es gelten die folgenden Beschränkungen:

- Das Produkt wurde bei einem zugelassenen Vertragshändler erworben.
- Die Installation wurde von einem zugelassenen Vertreter vorgenommen.
- Das Produkt wurde im Rahmen seines bestimmungsgemäßen Gebrauchs und entsprechend der Bedienungsanleitung verwendet.
- Das Produkt wurde täglich entsprechend den Vorgaben der Bedienungsanleitung instandgehalten.
- Die Wartung wird durch einen zugelassenen Vertreter entsprechend den Wartungsvorgaben durchgeführt und findet mindestens einmal jährlich statt (auf Kosten des Anwenders).
- Es werden ausschließlich Originalersatzteile von JAC verwendet.



Sofern keine Wartung durch einen zugelassenen Vertreter erfolgt bzw. das Wartungsheft nicht ordnungsgemäß ausgefüllt ist, ist die Garantie auf ein Jahr begrenzt.

Diese Garantie deckt nicht:

- den Ersatz von Verschleißteilen (siehe Abschnitt 9);
- Teile, die unser Kundendienst nicht als defekt anerkennt;

- Probleme, die sich aus einer ungewöhnlichen Nutzung des Produktes ergeben;
- Probleme, die darauf zurückzuführen sind, dass die Installation nicht durch einen zugelassenen Vertreter durchgeführt wurde;
- Beschädigungen oder Probleme, die auf einen Transportschaden oder auf die unsachgemäße Handhabung des Produktes zurückzuführen sind.

Die Durchführung einer Reparatur und/oder der Ersatz defekter Teile während der Garantiefrist führen nicht zur Verlängerung der Garantiefrist.

3 **WARNHINWEISE**

Bitte bewahren Sie diese Bedienungsanleitung unbedingt mit Ihrem Gerät zum späteren Nachlesen auf. Bei Verkauf oder Weitergabe Ihres Gerätes übergeben Sie bitte diese Bedienungsanleitung an den neuen Besitzer bzw. Benutzer, damit dieser über die Funktionsweise des Gerätes und die Warnhinweise informiert ist und diese befolgen kann.



Diese Warnhinweise dienen zu Ihrer Sicherheit und der Sicherheit anderer. Bitte lesen Sie die Warnhinweise vor der Installation und Verwendung Ihres Gerätes aufmerksam durch.

Diese Maschine ist für die Verwendung durch befugte erwachsene Personen bestimmt. Stellen Sie sicher, dass die Maschine nicht von Kindern berührt oder als Spielzeug benutzt wird.

Diese Maschine ist ausschließlich für den professionellen Einsatz vorgesehen.

Eine Modifizierung bzw. versuchte Modifizierung der Eigenschaften und Merkmale dieser Maschine ist gefährlich.

Stellen Sie nach der Installation dieser Maschine sicher, dass diese nicht auf dem Netzkabel steht.

Befolgen Sie stets die Anleitungen zur Bedienung und Verwendung.

Die Maschine ist in einem Innenraum und gegen Feuchtigkeit und Hitze geschützt aufzustellen.

Die Maschine muss zur Durchführung der Arbeiten ausreichend ausgeleuchtet sein.

Der Geräuschpegel der Maschine liegt unter 75 dB(A) und entspricht damit der EN ISO 3744.

Die Maschine darf nicht von mehreren Personen gleichzeitig benutzt werden (es sei denn, die Anleitung gibt etwas Anderes vor).

Die Maschine dient zum Schneiden abgekühlter Brotlaibe.



Diese Maschine darf nicht zum Schneiden der folgenden Brote, Artikel und Materialien verwendet werden:

- Warmes Brot, altbackenes Brot
- Gefrorenes oder halb aufgetautes Brot
- Vollwertbrot mit harter Kruste und andere Brotsorten mit harter Kruste

- Roggenbrot
- Ungeeignete Produkte wie Holz, Kunststoff oder Ähnliches
- Lebensmittel, die nicht zur Gruppe der Backwaren (speziell Brote und Kuchen) gehören.

Die Verwendung der Maschine zum Schneiden nicht zulässiger Brote, Artikel und Materialien kann zur Beschädigung der Maschine führen.



Vor Reinigungsarbeiten innen und außen am Gerät und vor Wartungsarbeiten immer den Netzstecker ziehen.

Dieses Gerät ist sehr schwer. Beim Transport und Bewegen des Gerätes sind angemessene Vorsichtsmaßnahmen zu ergreifen.

4 TECHNISCHE DATEN

4.1 Technische Daten

	DURO 450	DURO 450 M	DURO 600
Höhe (mm)	1243	1243	1243
Breite (mm)	663	663	843
Tiefe (mm)	760	760	760
Länge der Schneidkammer (mm)	320	320	320
Breite der Schneidkammer (mm)	590	590	590
Höhe der Schneidkammer (mm)	160	160	160
Verpackungsmaße (mm)	800 x 860 x 1600	800 x 860 x 1600	800 x 860 x 1600
Nettogewicht (kg)	150	165	175
Nettogewicht + Verpackung (kg)	170	185	195
Motorleistung (kW)	0,49	0,49	0,49
Motortyp	Einphasig oder dreiphasig	Einphasig oder dreiphasig	Einphasig oder dreiphasig
220 V - 50 Hz (A)	5	5	5
380 V - 50 Hz (A)	3,2	3,2	3,2
Kapazität (Brote/Stunde)	200<500	200<500	200<500
Geräuschpegel (dB)	<75	<75	<75

Verstärkter Motor	Option
Beutelgebläse	Option
Erhöhung um 4 cm	Option
Erhöhung um 8 cm	Option
Schutzabdeckung hinten	Option
Doppelschnitt	Option
Tageszähler	Option
Sonderfarbe	Option
Spezialmesser	Option

4.2 Materialien, die in Kontakt mit dem Brot kommen

Aufgabetisch: EDELSTAHL 430

Brotschieber: EDELSTAHL 430

Brotpresse: EDELSTAHL 430

Messer: Stahl

Austragstisch: EDELSTAHL 430

Brotablage: EDELSTAHL 430

5 **INSTALLATION UND INBETRIEBNAHME**

5.1 Auspacken der Maschine:

Unsere Maschinen werden zur Lieferung ab Werk auf Paletten verpackt, mit Umreifungsbändern gesichert und mit einer Kartonverpackung geschützt. Prüfen Sie die Verpackung bei Erhalt auf Beschädigungen und teilen Sie dem Spediteur etwaige Transportschäden direkt mit.

- A. Entfernen Sie die Kartonverpackung und die Folie von der Maschine.
- B. Entfernen Sie die Umreifungsbänder und bedenken Sie dabei, dass diese beim Durchschneiden aufspringen.
- C. Lösen Sie die Maschine durch Entfernen der Holzleisten, welche die Räder sichern, von der Palette.
- D. Heben Sie die Maschine von der Palette. Dies muss durch mindestens zwei Personen erfolgen, so dass die Maschine möglichst sicher auf dem Boden abgesetzt werden kann.
- E. Den einstellbaren Anschlag der Brotablage auf der Brotablage einrichten (Fig. 10, Nr. 20).

Die Maschine nach dem Auspacken auf Transportschäden überprüfen. Melden Sie uns bitte alle Fehler und Schäden.

5.2 Aufstellung:

Um eine hohe Leistung, eine lange Lebensdauer und einen zuverlässigen Betrieb sicherzustellen, sollte der Aufstellort wie folgt beschaffen sein:

Gut belüftet, vor direkter Sonneneinstrahlung geschützt, in ausreichender Entfernung zu Wärmequellen, mit tragfähigem und schwingungsfreiem Boden.

5.3 Anschluss an die Stromversorgung:

WICHTIG: Die Erdung der Maschine ist vorgeschrieben.

Wir empfehlen den Schutz der Anlage durch eine Sicherung und einen FI-Schutzschalter.

Ihr Stromnetz zur Versorgung der Maschine muss folgendermaßen geschützt werden:

- Nordamerika: Schutz 15 A;
- Rest der Welt: Schutz 16 A.

Maschinen mit Stromrichter müssen zwingend über einen FI-Schutzschalter für 300 mA angeschlossen werden.

Hinweis: Probleme und Störungen, die sich durch abweichende Ausführung des Anschlusses ergeben, sind nicht durch die Garantie gedeckt.

Prüfen Sie vor dem Anschließen der Maschine an das Stromnetz unbedingt, ob die Stromversorgung für die Maschine geeignet ist (siehe Angaben auf dem Typenschild), um einen Motorausfall beim Einschalten zu vermeiden.

Dieses Gerät entspricht den Maschinenrichtlinien 2006/42, 2006/95, 2004/108 und ist daher mit dem CE-Zeichen gekennzeichnet.

Bitte beachten Sie die an der Maschine angebrachten Warnsymbole:



Warnsymbol zur Anzeige der Schneid Gefahr. Dieses Warnsymbol befindet sich auf der Vorderseite der Maschine im Bereich der Brotaufnahme. (Fig. 7, Nr. 16)

Den Schaltplan der Maschine finden Sie auf der Rückseite der Schaltkastentür. (Fig. 7, Nr. 17)



Warnsymbol zur Anzeige der Gefahr eines tödlichen Stromschlags. Die Maschine vor jedem Eingriff vom Stromnetz nehmen. Das Warnsymbol ist an der Rückseite der Maschine neben dem Netzanschluss sowie im Inneren der Maschine auf dem Schaltkasten angebracht (Fig. 23, Nr. 27). (Fig. 7, Nr. 18)

5.4 **Inbetriebnahme:**

Vor der Inbetriebnahme sicherstellen, dass sich keine Fremdkörper auf den beweglichen Teilen der Maschine befinden.

Weitere Informationen zur Verwendung der Maschine erhalten Sie im Abschnitt „Bedienung“.

5.5 **Gefahr:**

Bei einer Gefahr für den Anwender oder die Maschine ist die Maschine über den Hauptschalter auszuschalten.

Vor Wartungs- oder Instandsetzungsmaßnahmen den Netzstecker ziehen.

Die Klinge niemals berühren, und zwar auch dann nicht, wenn die Maschine abgeschaltet ist.

Das Messer muss von einem zugelassenen Vertreter ausgetauscht werden.

Tragen Sie beim Austauschen des Messers und während Arbeiten direkt neben dem oder am Messer stets Schutzhandschuhe zum Schutz vor Schnittverletzungen.

Wartungsmaßnahmen und der Austausch von Ersatzteilen dürfen nur durch eine qualifizierte Person erfolgen.

6 **BEDIENELEMENT UND SICHERHEITSVORRICHTUNG**

6.1 **Bedienelement:**

Ihre Brotschneidemaschine ist serienmäßig mit einem Not-Aus-Schalter ausgestattet. Optional kann Ihre Brotschneidemaschine mit einem Einschalter (Fig. 11, Nr. 23) (BEF – BEM) ausgestattet werden.

6.2 **Arbeitsbereich:**

Der Arbeitsbereich befindet sich an der Vorderseite der Maschine (Fig. 3, Nr. 15).

6.3 **Sicherheitseinrichtungen:**

Diese Maschine ist mit folgenden Sicherheitseinrichtungen ausgestattet:

Einem Hebel, über den die Maschine und das Schneiden des Brotes eingeschaltet werden. Die Maschine schaltet ab, sobald der Hebel losgelassen wird.

Mit einem **Sicherheitsschalter**, der verhindert, dass die Maschine weiter läuft, wenn der vordere Tisch einer „Misch“-Maschine offen ist (Fig. 11, Nr. 22)

Mit einem **Sicherheitsschalter**, der verhindert, dass die Maschine weiter läuft, wenn die Abdeckung (bei Maschinen mit einer Abdeckung hinten) offen ist (Fig. 13, Nr. 27).

7 **BEDIENUNG**

Vor dem Betrieb die mit Bremsen versehenen Räder feststellen (Fig. 1, Nr. 11).

Die Maschine bei Tagesbeginn über den Not-Aus einschalten (Fig. 1, Nr. 10).

Nach dem Einschalten über den Not-Aus und bei den Maschinen, die mit einem Misch-Schmiersystem (BEF - BEM) ausgestattet sind, muss zwingend der Einschalter für die Messer (Fig. 2, Nr. °14) gedrückt werden, um den Brotschieber der Messer freizusetzen.

Bedienung (Fig. 4)

- A. Ziehen Sie den Hebel in Ihre Richtung. Wenn Ihre Maschine mit einer hinteren Abdeckung (Option) (BEG – BEG ETL - BET) versehen ist, öffnet diese automatisch bei der Betätigung des Hebels.
- B. Am Hebel ziehen und gleichzeitig das Brot auf dem hinteren Tisch (Fig. 3, Nr. 14) zwischen den Messern und dem beweglichen Teil ablegen.
- C. Den Hebel langsam loslassen. Damit wird das Brot zu den Messern transportiert. Sobald der Hebel wieder komplett losgelassen wurde, kann das geschnittene Brot entnommen werden.

Am Ende des Tages auf die rote Taste, den **Not-Aus (Fig. 1, Nr. 10)**, drücken, um die Maschine abzuschalten.

Tipp: Nach den ersten Betriebstagen die Spannung der Messer durch eine qualifizierte Person überprüfen lassen.

Kapazität: Anzahl der geschnittenen Bröte pro Tag: 6.000 (je nach Brotsorte).

Brotgrößen (L x B x H) (cm) :

mind. 12 x 6 x 6 - max. 44 x 31 x 16 (bei den Brotschneidemaschinen von 450 Breite)

mind. 12 x 6 x 6 - max. 58 x 31 x 16 (bei den Brotschneidemaschinen von 600 Breite)

8 INSTANDHALTUNG

8.1 Täglich durch einen eingewiesenen Bediener:

- A. Prüfen, ob das Krümelfach geleert werden muss (Fig. 1, Nr. 7).
- A. Die Tische (Fig. 1, Nr. 6) (Fig. 3, Nr. 14) mit einer Bürste reinigen.
- B. Den Innenbereich mit einem trockenen Tuch reinigen.
- C. Zur Reinigung des Außenbereichs ein feuchtes Tuch verwenden.

8.2 Nach 25.000 Schnitten und/oder mindestens ein Mal jährlich durch einen zugelassenen Vertreter:

Den Stecker aus der Steckdose ziehen (Fig. 2, Nr. 13).

Den Zustand der Messer überprüfen (Fig. 1, Nr. 3).

Soweit die Schneidqualität nachgelassen hat, muss das Messer ausgetauscht werden (JAC Bestellnummer: 610026 Ersatzteilkatalog JAC)

Das Messer ist entsprechend dem für den Austausch der Messer vorgeschriebenen Verfahren auszutauschen (Fig. 5, 6).

HINWEIS: Die Messer nicht zu stark spannen - andernfalls können die Rahmen verformen.

Mit der Bürste reinigen und den Innenbereich der Maschine absaugen.

Den Zustand der Lager überprüfen und diese schmieren.

Die Zylindergelenke schmieren.

Hier bitte sicherstellen, dass Ihr zugelassener Vertreter diese Maßnahmen im Wartungsheft festhält, um Ihren Garantieanspruch von fünf Jahren zu erhalten.

Zusätzliche Wartungsmaßnahmen bei Modellen mit Schmiersystem

Es ist folgendes Öl zu verwenden: 7940019 (wie im JAC Ersatzteilkatalog beschrieben).

Oder ein flüssiges und für den Lebensmittelbereich zugelassenes Pflanzenöl mit natürlichen Antioxidantien.

Nach 1000 Schneidvorgängen oder alle zwei Wochen durch einen eingewiesenen Bediener:

Die erforderliche Menge an Speiseöl (100 bis 150 ml) zugeben, um den Filz des WAGENS zu befeuchten (den Schalter für die Vorwärtsbewegung des Wagens betätigen, um an den Stopfen für die Ölversorgung zu gelangen).

Nach 25.000 Schnitten und/oder mindestens ein Mal jährlich durch einen zugelassenen Vertreter:

Den Stecker aus der Steckdose ziehen;

Den Filz des Schiebers ersetzen.

8.3 Austausch der Messer

Beim Austausch der Messer oder bei Arbeiten in der Umgebung der Messer müssen Schnittschutzhandschuhe (Norm EN 388: 2003, Index B = 5) sowie Sicherheitsschuhe getragen werden.

Sich zunächst vergewissern, dass der Netzstecker gezogen ist (Fig. 2, Nr. 13).

Maschinen ohne Misch (BEF – BEH – BEL – BEL ETL – BER – BEZ)

(Fig. 5).

- A. Die beiden Schrauben vom hinteren Tisch lösen und ihn nach hinten schieben, um den vorderen Tisch freizubekommen.
- B. Die Brotablage über das Drehrad rechts und das Drehrad rechts abschrauben sowie die beiden Schrauben der Abdeckung lösen.
- C. Die Abdeckung öffnen und die beiden Schrauben des vorderen Tisches lösen.
- D. Den vorderen Tisch herausziehen.
- E. Am oberen Teil des vorderen Rahmens die **A**-Schrauben lösen, mit denen der Rahmen an den Polypropylenlamellen befestigt ist (die Lamellen niemals vom Gerät entfernen, das es so zu einer Änderung der werkseitigen Einstellungen kommen kann).
- F. Den Rahmen nach vorne umklappen. Die Messer des hinteren Rahmens austauschen (einen Schutz auf die Messer des vorderen Rahmens legen). Die sechs Innensechskantschrauben **B** zum Spannen der Messer lösen. Die Messer austauschen und dabei darauf achten, dass sie ordnungsgemäß auf dem Führungszapfen der Ausleger sitzen. Die Messer durch Anziehen der **B-Schrauben** wieder spannen und sich dabei an der Spannung der verbleibenden Messer im Rahmen orientieren.

Misch-Maschinen (BEG – BEG ETL – BET – BEM)

(Fig. 6)

- A. Den Hebel zu sich ziehen, um den Brotschieber nach hinten zu bewegen und den Fuß betätigen, über den die Brotpresse hinten blockiert wird.
- B. Die beiden Schrauben vom hinteren Tisch lösen und ihn nach hinten schieben, um den vorderen Tisch freizubekommen.
- C. Die Brotablage über das Drehrad rechts und das Drehrad rechts abschrauben sowie die beiden Schrauben der Abdeckung lösen.
- D. Die Abdeckung öffnen und die beiden Schrauben des vorderen Tisches lösen.
- E. Den vorderen Tisch herausziehen.
- F. Am oberen Teil des vorderen Rahmens die **A**-Schrauben lösen, mit denen der Rahmen an den Polypropylenlamellen befestigt ist (die Lamellen niemals vom Gerät entfernen, das es so zu einer Änderung der werkseitigen Einstellungen kommen kann).
- G. Den Rahmen nach vorne umklappen. Die Messer des hinteren Rahmens austauschen (einen Schutz auf die Messer des vorderen Rahmens legen). Die mit den **B**-Schrauben verbundenen Gegenmuttern lösen. Die sechs Innensechskantschrauben **B** zum Spannen der Messer lösen. Die Messer austauschen und dabei darauf achten, dass sie ordnungsgemäß auf dem Führungszapfen der Ausleger sitzen. Die Messer durch Anziehen der **B-Schrauben** wieder spannen und sich dabei an der Spannung der verbleibenden Messer im Rahmen orientieren. Anschließend die Muttern anziehen.

Um den Rahmen nicht zu verformen und um zu verhindern, dass es zu gefährlichen Schäden kommt, nur ein bis drei Messer auf ein Mal und abwechselnd von links nach rechts austauschen.

Für den vorderen Rahmen das Verfahren ab Punkt 6 wiederholen und den vorderen Rahmen und die Verkleidungselemente wieder einsetzen.

Die Maschine mit dem Stromnetz verbinden. Die Maschine ist betriebsbereit.

Hier bitte sicherstellen, dass Ihr zugelassener Vertreter diese Maßnahmen im Wartungsheft festhält, um Ihren Garantieanspruch von fünf Jahren zu erhalten.

9 ERSATZTEILE

Um Ersatzteile für Ihre Maschine zu bestellen, lassen Sie von Ihrem Vertreter anhand des Ersatzteilkatalogs des Herstellers prüfen, um welche Teile es sich genau handelt. Dazu immer die Maschinenummer übermitteln, die auf dem Typenschild steht. Ihr Vertreter bestellt das Ersatzteil dann bei JAC.

9.1 ERSATZTEILLISTE

ARTIKELCODE	BEZEICHNUNG	MODELL
7240032	RIEMEN	ALLE
5690010	GLEITSCHUH 100 MM	ALLE
5690020	RAHMENLAMELLE	ALLE
6110001	JAC-MESSER 13 MM/0,5 MM	DURO 450
6110011	JAC-MESSER 13 MM/0,5 MM + TEFLON	DURO 450M
6110019	JAC-MESSER 13 MM/0,7 MM	DURO 600
5310019	FEDER BROTPRESSE	ALLE
5310026	FEDER BROTPRESSE KUNSTSTOFFRING	ALLE
5690151	GLEITSCHUH BROTPRESSE	ALLE
6120002	FILZ SCHIEBER	DURO 450M

Problem	Fehlersuche
Die Maschine funktioniert nicht.	Die Maschine über das Kabel anschließen (Fig. 2, Nr. 13).
	Den Not-Aus entriegeln (Fig. 1, Nr. 10)
	Die Schneidkammertür schließen.
	Die Tür schließen.
Die Maschine funktioniert, das Brot wird jedoch zerdrückt oder ungleichmäßig geschnitten.	Möglicherweise müssen die Messer ausgetauscht werden (Fig. 5, 6)
	Lassen Sie das Brot einige Stunden lang abkühlen.
	Schneiden Sie nur Brote passender Größe.
	Schneiden Sie nur ausreichend feste Brote.
Das Brot vibriert zwischen den Messern.	Wenn die Messer nicht ausgerichtet sind, die Messer und Rahmen einstellen.
	Wenn die Messer nicht ausgerichtet sind, die Messer und Rahmen einstellen.
Das Brot wird zu langsam geschnitten.	Möglicherweise müssen die Messer ausgetauscht werden (Fig. 5, 6)
	Überprüfen, ob die Federn der Brotpresse richtig platziert sind (Fig. 8, Nr. 19)
Das Brot wird zerrissen.	Wenn die Messer nicht ausgerichtet sind, die Messer und Rahmen einstellen.
	Überprüfen, ob die Federn der Brotpresse richtig platziert sind (Fig. 8, Nr. 19)
Das Brot wird nur sehr langsam ausgegeben oder bleibt im Bereich der Messer stecken.	Überprüfen, ob die Federn der Brotpresse richtig platziert sind (Fig. 8, Nr. 19)
Das Brot wird am Ende der Messer zusammengedrückt.	Eine Brotpressenfeder entfernen und den Test beginnen (Fig. 8, Nr. 19)

VORSICHT: Vor allen Eingriffen an der Maschine ist die Maschine zwingend von der Stromversorgung zu trennen.



Bei Anhalten des Problems wenden Sie sich bitte an Ihren Servicetechniker.

11 LISTE DER ABGEBILDETEN TEILE UND FUNKTIONEN

Abbildung	Nummer	Bezeichnung
1	1	Brotablage
	2	Abdeckung
	3	Messer
	4	Brotpresse
	5	Brotschieber
	6	Vorderer Tisch
	7	Krümelfach
	8	Hebel
	9	Drehrad der Abdeckung
	10	Not-Aus-Schalter
	11	Rolle
2	12	Wagen
	13	Netzkabel
3	14	hinterer Tisch
	15	Arbeitsbereich
7	16	Hinweis „Schneidgefahr“
	17	Schaltplan
	18	Hinweis „Gefahr eines Stromschlags“
8	19	abnehmbare Brotpressenfeder
9	20	einstellbaren Anschlag der Brotablage
11	21	umklappbarer Tisch Misch
	22	Sicherheitsschalter Tisch Misch
	23	Einschalter Misch
	24	Schnitzzähler Misch
12	25	ASP-Gebälse
	26	Gebälsehalter
13	27	Sicherheitsschalter Abdeckung

1	VÓÓR DE INBEDRIJFSTELLING	42
2	GARANTIE	42
3	WAARSCHUWINGEN	43
4	TECHNISCHE EIGENSCHAPPEN	44
4.1	Technische eigenschappen.....	44
4.2	Materiaal dat rechtstreeks in contact komt met het brood.....	44
5	INSTALLATIE EN INBEDRIJFSTELLING	45
5.1	De machine uit de verpakking halen:	45
5.2	Plaatsing:.....	45
5.3	Elektrische aansluiting:	45
5.4	Inbedrijfstelling:.....	46
5.5	Gevaar:	46
6	BEDIENINGS- EN VEILIGHEIDSPANEEL	46
6.1	Bedieningspaneel:.....	46
6.2	Werkzone:.....	46
6.3	Veiligheidsvoorzieningen:	47
7	GEBRUIK	47
8	ONDERHOUD	47
8.1	Dagelijks door een opgeleide gebruiker.....	47
8.2	Om de 25.000 snij-acties en/of minimaal één keer per jaar door een erkende verdeler.	48
8.3	Vervanging van de bladen.	48
9	VERBRUIKSGOEDEREN	50
9.1	Lijst met VERBRUIKSGOEDEREN	50
10	STORINGEN	51
11	LIJST MET ONDERDELEN OP DE AFBEELDINGEN	52

1 VÓÓR DE INBEDRIJFSTELLING

Bedankt dat u hebt gekozen voor een JAC-oplossing. Neem deze gebruikershandleiding grondig door voordat u deze machine installeert en in werking stelt. Zo kunt u uzelf beschermen en schade aan uw machine vermijden.

Deze handleiding verwijst naar diverse afbeeldingen zodat u de instructies beter kunt begrijpen. Deze afbeeldingen bevinden zich op het einde van de handleiding. Raadpleeg ze wanneer u de volgende symbolen tegenkomt (fig.X, n°Y).

Om nog jarenlang van uw machine te kunnen genieten, raden we u aan om de volgende adviezen na te leven:

- Doe een beroep op uw erkende verdeler voor de installatie, inbedrijfstelling en opvolging.
- Om te kunnen genieten van de garantie van vijf jaar (zie verder voor de voorwaarden), moet u bij de installatie van uw machine het onderhoudsboekje laten invullen door uw verdeler. Dit onderhoudsboekje bevindt zich aan de achterkant van uw machine.

2 GARANTIE



JAC biedt een garantie van vijf jaar op al zijn producten.

Deze garantie is geldig voor alle onderdelen van uw machine, waaronder de elektronische onderdelen, maar uitgezonderd de verbruiksgoederen. De garantie treedt in werking op de installatiedatum van het materiaal.

Onder de volgende beperkende voorwaarden:

- Het materiaal moet bij een erkende verdeler zijn aangekocht.
- De installatie moet door een erkende verdeler zijn uitgevoerd.
- Het materiaal moet worden gebruikt in overeenstemming met de aanwijzingen in de gebruikershandleiding en voor het doel waarvoor het werd geproduceerd.
- Het materiaal moet dagelijks worden onderhouden in overeenstemming met de aanwijzingen in de gebruikershandleiding.
- Ten minste één keer per jaar moet onderhoud worden uitgevoerd door de erkende verdeler en dit in overeenstemming met de onderhoudsspecificaties (onderhoud ten laste van de gebruiker).
- Alleen originele JAC-onderdelen mogen worden gebruikt.



Als er geen onderhoud wordt uitgevoerd door een erkende verdeler en/of het onderhoudsboekje niet correct wordt ingevuld, is de garantie beperkt tot één jaar.

Het volgende valt niet onder deze garantie:

- De vervanging van verbruiksgoederen (§9).
- Defecte stukken die door onze diensten niet worden erkend.
- Problemen ten gevolge van een abnormaal gebruik van het materiaal.
- Problemen doordat de installatie niet door een erkende verdeler is uitgevoerd.
- De onderdelen of problemen die het gevolg zijn van transportschade of een ongepaste behandeling.

Een reparatie en/of een vervanging van defecte onderdelen tijdens de garantieperiode verlengt deze garantie niet.

3 WAARSCHUWINGEN

Het is heel belangrijk dat deze gebruikershandleiding bij het apparaat wordt bewaard zodat ze later kan worden geraadpleegd. Als dit apparaat wordt verkocht of aan een andere persoon wordt overgedragen, zorg er dan voor dat de gebruikershandleiding wordt overhandigd zodat de gebruiker op de hoogte is van de werking ervan en van de daarin vermelde waarschuwingen.



Deze waarschuwingen worden gegeven voor uw veiligheid en die van anderen. We vragen u dan ook ze aandachtig te lezen vooraleer u het apparaat installeert en gebruikt.

Deze machine werd ontworpen om door bevoegde volwassenen te worden gebruikt. Zorg er dus voor dat kinderen de machine niet aanraken en niet als speelgoed beschouwen.

Deze machine is uitsluitend voorbehouden voor professioneel gebruik.

Het is gevaarlijk om de eigenschappen van deze machine te wijzigen of te proberen wijzigen.

Zorg er na de installatie van deze machine voor dat ze niet op het netsnoer staat.

Volg de meegeleverde gebruiksinstructies.

Deze machine moet worden bewaard en gebruikt in een ruimte die niet vochtig of warm wordt.

Deze machine moet voldoende verlicht zijn om het werk uit te voeren.

Deze machine heeft een geluidsniveau van minder dan 75 dB(A) conform norm EN ISO 3744.

Deze machine mag slechts door één persoon tegelijkertijd worden gebruikt (behoudens tegengestelde instructie).

Deze machine is bedoeld voor het snijden van gebakken en lauw brood.



Deze machine is niet bedoeld voor het volgende brood en materiaal:

- Warm brood, oud brood
- Bevroren of half ontdooid brood
- Volkorenbrood met harde korst en andere soorten brood met een harde korst
- Roggebrood
- Niet-eetbare producten zoals hout, plastic en soortgelijk materiaal
- Elk voedingsmiddel dat niet hoort tot de categorie brood of cake

De machine kan beschadigd raken als niet toegestaan brood of materiaal wordt gesneden.



Haal altijd de stekker uit het stopcontact vooraleer u de buiten- of binnenkant van het apparaat schoonmaakt of onderhoud uitvoert.

Dit apparaat is zwaar. Neem alle veiligheidsmaatregelen tijdens het onderhoud.

4 TECHNISCHE EIGENSCHAPPEN

4.1 Technische eigenschappen

	DURO 450	DURO 450 M	DURO 600
Hoogte (mm)	1243	1243	1243
Breedte (mm)	663	663	843
Diepte (mm)	760	760	760
Lengte van het toevoerkanaal (mm)	320	320	320
Breedte van het toevoerkanaal (mm)	590	590	590
Hoogte van het toevoerkanaal (mm)	160	160	160
Verpakking (mm)	800 x 860 x 1600	800 x 860 x 1600	800 x 860 x 1600
Nettogewicht (kg)	150	165	175
Nettogewicht + verpakking (kg)	170	185	195
Motorvermogen (kW)	0,49	0,49	0,49
Motortype	Eenfasig of driefasig	Eenfasig of driefasig	Eenfasig of driefasig
220 V - 50 Hz (A)	5	5	5
380 V - 50 Hz (A)	3,2	3,2	3,2
Capaciteit (broden/uur)	200<500	200<500	200<500
Geluidsniveau (dB)	<75	<75	<75

Versterkte motor	optie
Zakopblazer	optie
Verhoging van 4 cm	optie
Verhoging van 8 cm	optie
Veiligheidsklep achteraan	optie
Dubbele snijbreedte	optie
Dagteller	optie
Speciale kleur	optie
Speciale messen	optie

4.2 Materiaal dat rechtstreeks in contact komt met het brood.

Toevoerband: INOX 430

Broodduwer: INOX 430

Broodpers: INOX 430

Bladen: Staal

Afvoerband: INOX 430

Broodplank: INOX 430



5.1 De machine uit de verpakking halen:

De machines worden uit onze ateliers op pallets, verankerd en met karton beschermd geleverd. U moet eerst en vooral de verpakking bekijken en elke transportschade onmiddellijk aan de koerier melden.

- A. Verwijder het karton en de verpakkingszak van de machine.
- B. Verwijder de riemen en let daarbij met name op de terugslag wanneer ze worden doorgesneden.
- C. Maak de machine los van de pallet door de houten latten te verwijderen die de wieltjes blokkeren.
- D. Haal de machine van de pallet. Doe dit met minstens twee personen zodat de machine niet met een harde schok op de grond terechtkomt.
- E. Installeer de verstelbare aanslag van de broodplank op de broodplank (fig.10, n°20).

Na het uitpakken van uw machine moet u nakijken of ze tijdens het transport geen schade heeft opgelopen. Meld ons elke afwijking.

5.2 Plaatsing:

Voor uitstekende prestaties en betrouwbaarheid op lange termijn moet u een plaats kiezen die:

Goed verlucht is, niet blootgesteld is aan direct zonlicht en uit de buurt is van warmtebronnen, met een stevig en trillingsvrij oppervlak.

5.3 Elektrische aansluiting:

BELANGRIJK: Verplichte aarding.

Er wordt aangeraden om de installatie te beveiligen met een zekering en differentieelschakelaar.

Uw elektriciteitsinstallatie die stroom levert aan de machine moet als volgt worden beveiligd:

- Noord-Amerika: Beveiliging 15 A
- Rest van de wereld: Beveiliging 16 A

Machines die uitgerust zijn met een regelaar moeten worden aangesloten op een aftakdoos op een lijn die uitgerust is met een differentieelschakelaar van 300 mA.

Opmerking: Elk probleem dat te wijten is aan een andere soort aansluiting wordt niet gedekt door de garantie.

Voordat u uw machine op het net aansluit en om een storing van de motor bij het onder spanning zetten te vermijden, is het belangrijk dat u controleert of het elektriciteitsnet overeenstemt met de eigenschappen van de machine (zie het identificatieplaatje).

Dit apparaat is conform de machinerichtlijnen 2006/42, 2006/95, 2004/108 en draagt de CE-markering die hiervan getuigt.

Houd rekening met de veiligheidspictogrammen op de machine:



Pictogram dat wijst op een mogelijke stroomonderbreking. Dat is terug te vinden aan de voorkant van de machine in de zone waar het brood wordt geplaatst (fig.7, n°16).

U vindt het elektrische schema van de machine op de achterkant van de deur van de schakelkast (fig.7, n°17).



Pictogram dat wijst op gevaar voor elektrocutie. Trek de machine vóór elke interventie uit het stopcontact. Dat vindt u aan de achterkant van de machine in de buurt van het netsnoer en binnenin de machine op de schakelkast (fig.7, n°18).

5.4 **Inbedrijfstelling:**

Zorg er vóór de inbedrijfstelling voor dat er zich geen enkel storend voorwerp bevindt op de bewegende onderdelen van de machine.

Raadpleeg het hoofdstuk "Gebruik" voor informatie over het gebruik van de machine.

5.5 **Gevaar:**

Als er gevaar is voor de gebruiker of voor de machine, moet u de hoofdschakelaar gebruiken om de stroomtoevoer naar de machine te onderbreken.

Haal de stekker uit het stopcontact voordat u onderhoud uitvoert.
Raak het blad niet aan, ook niet als het stilstaat.

Het blad mag alleen worden vervangen door uw erkende verdeler.

Draag altijd snijbestendige veiligheidshandschoenen tijdens de vervanging van het blad of tijdens een handeling in de buurt van het blad.

Elk onderhoud of vervanging van een onderdeel moet door een bevoegde persoon worden uitgevoerd.

6 ***BEDIENINGS- EN VEILIGHEIDSPANEEL***

6.1 **Bedieningspaneel:**

Uw snijmachine is standaard uitgerust met een noodstopknop.
Uw snijmachine kan optioneel uitgerust zijn met een startknop (fig.11, n°23) (BEF – BEM).

6.2 **Werkzone:**

De werkzone bevindt zich voor de machine (fig.3, n°15).



6.3 Veiligheidsvoorzieningen:

Deze machine is uitgerust met:

Een hendel die de machine en het snijden van het brood start. Als u de hendel loslaat, stopt de machine.

Een veiligheidsschakelaar die verhindert dat de machine werkt wanneer de plank vooraan van een machine van het type Misch geopend is (fig.11, n°22).

Een veiligheidsschakelaar die verhindert dat de machine werkt wanneer de klep (machine uitgerust met een klep achteraan) geopend is (fig.13, n°27).

7 **GEBRUIK**

Voor het gebruik moeten de met een rem uitgeruste zwenkwielen worden vastgezet (fig.1, n°11).

Zet de machine in het begin van de dag onder spanning met de noodstop (fig.1, n°10).

Nadat de machine onder spanning is gezet via de noodstop en als uw machine uitgerust is met een Misch-smeringsysteem (BEF - BEM), moet u verplicht op de startknop van de messen drukken (fig.2, n°14) zodat de broodduwer van de bladen loskomt.

Gebruiksprocedure (fig.4)

- A. Trek de hendel naar u toe. Als uw machine uitgerust is met een klep achteraan (optie) (BEG – BEG ETL - BET), dan opent deze automatisch door gebruik van de hendel.
- B. Zodra aan de hendel is getrokken, plaatst u uw brood op de plank achteraan (fig.3, n°14), tussen de bladen en het mobiele deel.
- C. Laat de hendel zacht los. Hierdoor wordt het brood naar de bladen geduwd. Zodra de hendel volledig is losgelaten, neemt u het gesneden brood.

Druk op het einde van de dag op de rode **noodstopknop** (fig.1, n°10) om de machine uit te schakelen.

Advies: Laat na de eerste werkdagen de spanning van de bladen nakijken door een bevoegd persoon.

Capaciteit: Aantal gesneden broden per dag: 6000 (afhankelijk van het broodtype).

Afmetingen van het brood (b x l x h) (cm):

min. 12 x 6 x 6 - max. 44 x 31 x 16 (op een snijmachine van 450 breed)

min. 12 x 6 x 6 - max. 58 x 31 x 16 (op een snijmachine van 600 breed)

8 **ONDERHOUD**

8.1 Dagelijks door een opgeleide gebruiker.

- A. Controleer of u de kruimelbak niet moet leegmaken (fig.1, n°7).
- B. Maak de planken schoon (fig.1, n°6) (fig.3, n°14) met een borstel.
- C. Gebruik een droge doek om de binnenkant schoon te maken.
- D. Gebruik een vochtige doek om de buitenkant schoon te maken.

8.2 Om de 25.000 snij-acties en/of minimaal één keer per jaar door een erkende verdeler.

Haal de stekker uit het stopcontact (fig.2, n°13).

Controleer de staat van de snijbladen (fig.1, n°3).

Als de snijkwaliteit daalt, vervang dan de snijbladen (JAC-referentie: 610026 in de reserveonderdelencatalogus van JAC)

Als ze moeten worden vervangen, vervang de bladen dan conform de vervangingsprocedure voor snijbladen (fig.5, 6).

NB: Span de bladen niet overmatig, dit kan de kaders vervormen.

Borstel en stofzuig de binnenkant van de machine.

Controleer de staat van de lagers en smeer ze.

Smeer de vijzelgewrichten.

Controleer goed of uw erkende verdeler zijn interventie in uw onderhoudsboekje heeft genoteerd zodat u uw garantie van vijf jaar behoudt.

Onderhoud voor de modellen met smering

**De te gebruiken olie is: 7940019 (zoals vermeld in de JAC-catalogus voor "reserveonderdelen")
Of een vloeibare plantaardige consumptieolie met natuurlijke antioxidant**

Om de 1000 snij-acties of elke twee weken, door een opgeleide gebruiker:

Voeg de dosis consumptieolie (100 tot 150 ml) die nodig is om de vilten van het WAGENTJE te drenken (druk op de knop om het wagentje vooruit te laten gaan zodat u toegang hebt tot de knop om olie toe te voegen).

Elke 25.000 snij-acties en/of minimaal één keer per jaar door een erkende verdeler:

Haal de stekker uit het stopcontact.

Vervang de vilten van de duwer.

8.3 Vervanging van de bladen.

Draag altijd snijbestendige veiligheidshandschoenen (norm EN 388: 2003 index B= 5) en veiligheidsschoenen tijdens de vervanging van het blad of tijdens een handeling in de buurt van het blad.

Verzeker u ervan dat de stekker van uw machine (fig.2, n°13) uit het stopcontact is getrokken.

Niet-Misch-machines (BEF – BEH – BEL – BEL ETL – BER – BEZ)

(fig.5)

- A. Draai de twee schroeven van de plank achteraan los en schuif deze naar achter zodat de plank vooraan vrijkomt.
- B. Schroef de broodplank los met het linkerstelwiel, het rechterstelwiel en draai de twee schroeven van de kap los.
- C. Open de kap en draai de twee schroeven van de plank vooraan los.
- D. Neem de plank vooraan weg.
- E. Draai op het bovenste deel van het kader vooraan de schroeven **A** los die het kader aan de polypropyleen lamellen bevestigen (demonteer nooit de lamellen van het geraamte, u loopt het risico de fabrieksinstellingen te wijzigen).
- F. Haal het kader naar voren. Vervang de bladen van het kader achteraan (plaats iets om u te beschermen tegen de bladen van het kader vooraan). Draai de schroeven **B** met holle binnenzeskant los die de bladen spannen. Vervang de bladen en ga daarbij na of ze goed



worden geplaatst in de stift van de persen. Span de bladen opnieuw aan door de schroeven **B vast te draaien**, waarbij de bladen op het kader blijven als merkteken voor de spanning.

Misch-Machines (BEG – BEG ETL – BET – BEM)

(fig.6)

- A. Trek de hendel naar u toe zodat u de broodduwer naar de achterkant van de machine kunt plaatsen en de klamp kunt gebruiken waarmee de broodpers achteraan kan worden geblokkeerd.
- B. Draai de twee schroeven van de plank achteraan los en schuif de plank naar achter zodat de plank vooraan vrijkomt.
- C. Schroef de broodplank los met het linkerstelwiel, het rechterstelwiel en draai de twee schroeven van de kap los.
- D. Open de kap en draai de twee schroeven van de plank vooraan los.
- E. Neem de plank vooraan weg.
- F. Draai op het bovenste deel van het kader vooraan de schroeven **A** los die het kader aan de polypropyleen lamellen bevestigen (demonteer nooit de lamellen van het geraamte, u loopt het risico de fabrieksinstellingen te wijzigen).
- G. Haal het kader naar voren. Vervang de bladen van het kader achteraan (plaats iets om u te beschermen tegen de bladen van het kader vooraan). Draai de contraoeren los die op de schroeven **B** zijn vastgemaakt. Draai de schroeven **B** met holle binnenzeskant los die de bladen spannen. Vervang de bladen en ga daarbij na of ze goed worden geplaatst in de stift van de persen. Span de bladen opnieuw aan door de schroeven **B** vast te draaien, waarbij de bladen op het kader blijven als merkteken voor de spanning. Draai vervolgens de moeren vast.

Om het kader niet te vervormen en geen risico op gevaarlijke breuken te lopen, mag u slechts 1 tot 3 bladen tegelijkertijd vervangen en moet u links en rechts afwisselen.

Herbegin de procedure vanaf punt 6 voor het kader vooraan en plaats het kader vooraan evenals de afwerkingselementen terug op hun plaats.

Steek de stekker van de machine in het stopcontact. De machine is klaar.

Controleer goed of uw erkende verdeler zijn interventie in uw onderhoudsboekje heeft genoteerd zodat u uw garantie van vijf jaar behoudt.

9 VERBRUIKSGOEDEREN

Ga bij de bestelling van een reserveonderdeel met uw verdeler na om welk stuk het gaat op basis van de reserveonderdelencatalogus van de fabrikant.

Geef altijd het machinenummer op zoals vermeld op het identificatieplaatje.

Uw verdeler voert de bestellingen uit bij JAC.

9.1 Lijst met VERBRUIKSGOEDEREN

ARTIKELCODE	OMSCHRIJVING	MODEL
7240032	RIEM	ALLE
5690010	SCHUIFGLIDDERS 100 MM	ALLE
5690020	KADERLAMELLEN	ALLE
6110001	JAC-MES 13 MM/0,5 MM	DURO 450
6110011	JAC-MES 13 MM/0,5 MM + TEFLON	DURO 450M
6110019	JAC-MES 13 MM/0,7 MM	DURO 600
5310019	VEER BROODPERS	ALLE
5310026	VEER BROODPERS PLASTIC RING	ALLE
5690151	GLIJDER BROODPERS	ALLE
6120002	VILTDUWER	DURO 450M

Probleem	Controle
De machine werkt niet	Sluit de machine met een kabel op het stopcontact aan (fig.2, n°13).
	Ontgrendel de noodstop (fig.1, n°10).
	Sluit de klep.
	Sluit de deur.
De machine werkt maar het brood wordt beschadigd of onregelmatig gesneden	Controleer of de bladen niet moeten worden vervangen (§5,6).
	Laat het brood enkele uren afkoelen.
	Plaats brood met toegelaten afmetingen.
	Plaats een redelijk stevig brood.
	Als de bladen niet goed zijn uitgelijnd, stel dan de bladen en kaders af.
Het brood trilt in de bladen	Als de bladen niet goed zijn uitgelijnd, stel dan de bladen en kaders af.
Het brood wordt te traag gesneden	Controleer of de bladen niet moeten worden vervangen (§5,6).
	Controleer of de veren van de broodpers goed op hun plaats zitten (fig.8, n°19).
Het brood wordt stukgescheurd	Als de bladen niet goed zijn uitgelijnd, stel dan de bladen en kaders af.
	Controleer of de veren van de broodpers goed op hun plaats zitten (fig.8, n°19).
Het brood komt traag naar buiten of blijft in de bladen	Controleer of de veren van de broodpers goed op hun plaats zitten (fig.8, n°19).
Het brood wordt bij het verlaten van de bladen verpletterd	Neem een veer van de broodpers weg en herbegint uw test (fig.8, n°19).

OPGELET: Bij elke tussenkomst moet de machine verplicht worden uitgeschakeld.



Als het probleem zich blijft voordoen, neem dan contact op met uw technicus.

11 LIJST MET ONDERDELEN OP DE AFBEELDINGEN

Afbeelding	Nummer	Naam
1	1	broodplank
	2	Kap
	3	Bladen
	4	Broodpers
	5	Broodduwer
	6	Plank vooraan
	7	Kruimelbak
	8	Hendel
	9	Afstelwielkje voor kap
	10	Noodstopknop
	11	Wielkje
2	12	Wagen
	13	Netsnoer
3	14	Plank achteraan
	15	Werkzone
7	16	Plaatje "gevaar voor stroomonderbreking"
	17	Elektrisch schema
	18	Plaatje "gevaar voor elektrocutie"
8	19	Veer van de afneembare broodklem
9	20	Verstelbare aanslag van de broodplank
11	21	Uitklappende Misch-plank
	22	Noodschakelaar Misch-plank
	23	Startknop Misch
	24	Snijteller Misch
12	25	Opblazer ASP
	26	Onderbreker van opblazer
13	27	Noodschakelaar van klep

1	ПЕРЕД ВВОДОМ В ЭКСПЛУАТАЦИЮ	54
2	ГАРАНТИЯ.....	54
3	ПРЕДУПРЕЖДЕНИЯ.....	55
4	ТЕХНИЧЕСКИЕ ХАРАКТЕРИСТИКИ	56
4.1	Технические характеристики	56
4.2	Подробности о материалах, находящихся в непосредственном контакте с хлебом.....	57
5	УСТАНОВКА И ВВОД В ЭКСПЛУАТАЦИЮ	57
5.1	Распаковка машины	57
5.2	Место установки	57
5.3	Электрическое подключение.....	57
5.4	Ввод в эксплуатацию.....	58
5.5	Опасность	58
6	ОРГАНЫ УПРАВЛЕНИЯ И ПРЕДОХРАНИТЕЛЬНЫЕ УСТРОЙСТВА	59
6.1	Органы управления.....	59
6.2	Рабочая зона.....	59
6.3	Предохранительные устройства	59
7	ЭКСПЛУАТАЦИЯ	59
8	ТЕХНИЧЕСКОЕ ОБСЛУЖИВАНИЕ.....	60
8.1	Ежедневное, выполняется пользователем, прошедшим подготовку.....	60
8.2	Через каждые 25 000 нарезок и (или) не реже 1 раза в год; выполняется аккредитованным специалистом.	60
8.3	Замена лезвий	61
9	РАСХОДНЫЕ МАТЕРИАЛЫ.....	62
9.1	Список РАСХОДНЫХ МАТЕРИАЛОВ	62
10	НЕПОЛАДКИ В РАБОТЕ	63
11	СПИСОК КОМПЛЕКТУЮЩИХ НА ИЗОБРАЖЕНИЯХ.....	64

1 ПЕРЕД ВВОДОМ В ЭКСПЛУАТАЦИЮ

Благодарим за то, что выбрали компанию JAC. Перед установкой машины и ее вводом в эксплуатацию обязательно прочтите настоящее руководство. Таким образом вы сможете защитить себя и избежать повреждений машины.

В настоящем руководстве содержатся ссылки на различные изображения, облегчающие понимание инструкций. Эти изображения находятся в конце руководства. Обращайтесь к ним, когда встретите в тексте обозначения следующего вида: (fig.X, n°Y).

Для обеспечения бесперебойной работы машины в будущем предлагаем ознакомиться с представленными ниже правилами.

— Для установки машины, ее ввода в эксплуатацию и контроля работы обращайтесь к аккредитованному специалисту.

— Чтобы на машину подействовала 5-летняя гарантия (см. необходимые условия далее), дистрибьютор должен заполнить журнал технического обслуживания при установке машины. Журнал технического обслуживания находится с тыльной части машины.

2 ГАРАНТИЯ



Компания JAC предоставляет 5-летнюю гарантию на всю свою продукцию.

Гарантия распространяется на все детали машины, в том числе электронные, кроме расходных материалов. Гарантия вступает в силу с даты установки оборудования.

Гарантия действует при соблюдении следующих ограничительных условий:

- Приобретение оборудования у аккредитованного дистрибьютора.
- Выполнение установки аккредитованным специалистом.
- Использование оборудования в соответствии с указаниями в руководстве по эксплуатации и по назначению, предусмотренному при производстве.
- Ежедневное обслуживание оборудования в соответствии с указаниями в руководстве по эксплуатации.
- Выполнение технического обслуживания аккредитованным специалистом в соответствии с требованиями по техническому обслуживанию не реже одного раза в год (производится за счет пользователя).
- Использование исключительно оригинальных деталей компании JAC.



При отсутствии контроля технического обслуживания со стороны аккредитованного специалиста и (или) в случае неправильного ведения журнала технического обслуживания действие гарантии ограничивается одним годом.

Гарантия не распространяется:

- На замену расходных материалов (§9).
- На детали, признанные неисправными не нашей компанией.
- На проблемы, возникшие вследствие неправильной эксплуатации оборудования.

— На проблемы, возникшие вследствие установки машины не аккредитованным специалистом.

— На детали или проблемы, связанные с нанесением ущерба во время транспортировки или ненадлежащим обращением при погрузочно-разгрузочных работах.

Ремонт и (или) замена неисправных деталей, выполненные в течение гарантийного периода, не могут послужить причиной продления данной гарантии.

3 ПРЕДУПРЕЖДЕНИЯ

Настоящее руководство следует сохранить для получения справочной информации при дальнейшей эксплуатации машины. В случае продажи или передачи машины другому лицу следует удостовериться, что руководство по эксплуатации передается вместе с ней, чтобы пользователь мог получить информацию о ее работе и связанных с ней предупреждениях.



Предупреждения изложены для обеспечения вашей безопасности и безопасности других лиц. Просим вас внимательно прочесть эти предупреждения перед установкой и эксплуатацией машины.

Машина разработана для использования совершеннолетними лицами с соответствующим разрешением. Поэтому нужно следить за тем, чтобы дети не прикасались к машине и не использовали ее в качестве игрушки.

Машина предназначена исключительно для использования в рабочих целях.

Опасно вносить изменения в характеристики машины или предпринимать соответствующие попытки.

После установки машины убедитесь в том, что она не стоит на кабеле электроснабжения.

Соблюдайте данные инструкции по эксплуатации.

Машина должна храниться и использоваться в помещении, защищенном от сырости и жары.

Машина должна быть достаточно освещена для выполнения работы.

Уровень шума машины ниже 75 дБ(А) согласно стандарту EN ISO 3744.

Машина не должна использоваться несколькими операторами параллельно (если не предписано иное).

Данная машина предназначена для нарезки печеного и выдержанного хлеба.



Данная машина не предназначена для следующих материалов и видов хлеба:

- Горячий хлеб, черствый хлеб.
- Замороженный или частично размороженный хлеб.
- Цельнозерновой хлеб с твердой коркой и другие виды хлеба с твердой коркой.
- Ржаной хлеб.

- Несъедобные изделия из древесины, пластмассы и аналогичных материалов.
- Любые продукты питания, не входящие в категорию хлебных или кексовых изделий.

Нарезка перечисленных видов хлеба или материалов может привести к повреждению машины.



Всегда отключайте машину от сети электропитания перед выполнением чистки внутренних/внешних поверхностей и операций по техническому обслуживанию.

Машина тяжелая. Принимайте все необходимые меры предосторожности при транспортировке и погрузочно-разгрузочных работах.

4 ТЕХНИЧЕСКИЕ ХАРАКТЕРИСТИКИ

4.1 Технические характеристики

	DURO 450	DURO 450 M	DURO 600
Высота (мм)	1243	1243	1243
Ширина (мм)	663	663	843
Глубина (мм)	760	760	760
Длина входного канала (мм)	320	320	320
Ширина входного канала (мм)	590	590	590
Высота входного канала (мм)	160	160	160
Упаковка (мм)	800 x 860 x 1600	800 x 860 x 1600	800 x 860 x 1600
Масса нетто (кг)	150	165	175
Масса нетто + упаковка (кг)	170	185	195
Мощность мотора (кВт)	0,49	0,49	0,49
Тип мотора	Однофазный или трехфазный	Однофазный или трехфазный	Однофазный или трехфазный
220 В, 50 Гц (А)	5	5	5
380 В, 50 Гц (А)	3,2	3,2	3,2
Производительность (буханок/час)	200 < 500	200 < 500	200 < 500
Уровень шума (дБ)	< 75	< 75	< 75

Усиленный мотор	опция
Воздуходувка для открывания пакетов	опция
Подъем на 4 см	опция
Подъем на 8 см	опция
Задняя защитная крышка	опция
Двойная толщина нарезки	опция
Счетчик ежедневной наработки	опция
Специальный цвет	опция
Специальные ножи	опция

4.2 Подробности о материалах, находящихся в непосредственном контакте с хлебом.

Входная полка: НЕРЖ. 430

Толкатель для буханок: НЕРЖ. 430

Пресс для буханок: НЕРЖ. 430

Лезвия: сталь

Выходная полка: НЕРЖ. 430

Устройство для упаковки в пакеты: НЕРЖ. 430

5 УСТАНОВКА И ВВОД В ЭКСПЛУАТАЦИЮ

5.1 Распаковка машины

Машины из наших цехов поставляются на поддонах, закрепленные ремнями и в защитной картонной коробке. Прежде всего следует осмотреть упаковку на предмет наличия повреждений, полученных во время транспортировки, и сообщить о них непосредственно экспедитору.

- A. Удалите картонную коробку и упаковочный пакет машины.
- B. Снимите ремни, обратив особое внимание на их ослабление при разрезании.
- C. Открепите машину от поддона, сняв деревянные рейки, фиксирующие колесики.
- D. Снимите машину с поддона. В этой операции должны участвовать не менее двух человек для обеспечения максимально плавного соприкосновения машины с полом.
- E. Установите на место регулируемый упор устройства для упаковки в пакеты (fig.10, n°20).

После распаковки машины убедитесь, что она не подвергалась повреждениям во время транспортировки. Сообщайте нам о любых дефектах.

5.2 Место установки

Для обеспечения долгосрочной высокой производительности и надежности машины следует правильно выбрать место установки.

Оно должно быть хорошо проветриваемым, защищенным от воздействия прямых солнечных лучей, удаленным от источников тепла, с прочной поверхностью, не подвергающейся вибрации.

5.3 Электрическое подключение

ВАЖНО! Обязательно наличие заземления.

Рекомендуется защитить электрическую установку с помощью плавкого предохранителя и дифференциального автоматического выключателя.

Электрическая установка, обеспечивающая питание машины, должна быть защищена следующим образом:

- Северная Америка: защита 15 А.
- Остальные страны: защита 16 А.

Машины, оборудованные регулятором скорости, обязательно должны подключаться к разветвительной коробке на линии с дифференциальным автоматом 300 мА.

Примечание. Любые проблемы, возникшие в связи с иным видом подключения, не будут покрываться гарантией.

Перед подключением машины к электросети и во избежание выхода мотора из строя в момент подключения следует убедиться в соответствии электросети характеристикам машины (см. заводской щиток).

Машина соответствует директивам о безопасности машин и оборудования 2006/42, 2006/95, 2004/108 и имеет подтверждающую маркировку ЕС.

Ознакомьтесь с пиктограммами техники безопасности, имеющимися на машине.



Пиктограмма, предупреждающая об опасности пореза. Она находится в передней части машины, рядом с зоной выгрузки хлеба. (fig.7, n°16)

Электросхема машины находится на обратной стороне дверцы отсека электрощитка. (fig.7, n°17)



Пиктограмма, предупреждающая об опасности поражения электрическим током. Отключайте машину перед выполнением любых работ. Пиктограмма находится сзади машины, рядом с кабелем питания и внутри машины на отсеке электрощитка. (fig.7, n°18)

5.4 Ввод в эксплуатацию

Перед вводом в эксплуатацию убедитесь в отсутствии любых посторонних предметов на подвижных частях машины.

Для получения ответов на все вопросы, касающиеся эксплуатации машины, см. раздел «Эксплуатация».

5.5 Опасность

В случае возникновения опасности для пользователя или для машины следует отключить электропитание с помощью главного выключателя.

Извлеките штекер из электрической розетки перед выполнением любых операций по техническому или периодическому обслуживанию.

Не прикасайтесь к лезвию, даже если машина выключена.

Для замены лезвия обратитесь к аккредитованному дистрибьютору.

Обязательно надевайте защитные перчатки, предохраняющие от порезов, при выполнении операций в непосредственной близости от лезвия или при его замене.



Все операции по техническому обслуживанию или замене деталей должны осуществляться квалифицированным сотрудником.

6 ОРГАНЫ УПРАВЛЕНИЯ И ПРЕДОХРАНИТЕЛЬНЫЕ УСТРОЙСТВА

6.1 Органы управления

Хлеборезка серийно оборудована кнопкой аварийного останова.
Хлеборезка может быть оборудована кнопкой запуска в виде опции (fig.11, н°23) (BEF — BEM).

6.2 Рабочая зона

Рабочая зона находится перед машиной (fig.3, н°15).

6.3 Предохранительные устройства

Оборудование на данной машине:

Рычаг включения машины и нарезки хлеба. Отпускание рычага приводит к выключению машины.

Аварийный выключатель, препятствующий работе машины, если передняя полка машины типа Misch находится в открытом положении (fig.11, н°22).

Аварийный выключатель, препятствующий работе машины, если крышка (у машин, оборудованных задней крышкой) находится в открытом положении (fig.13, н°27).

7 ЭКСПЛУАТАЦИЯ

Перед началом эксплуатации колесики, оснащенные тормозом, должны быть заблокированы (fig.1 н°11).

В начале рабочего дня машину следует включить с помощью кнопки аварийного останова (fig.1, н°10).

Если машина оборудована системой смазки Misch (BEF — BEM), после включения электропитания с помощью кнопки аварийного останова следует обязательно нажать на кнопку включения лезвий (fig.2, н°14) для освобождения из них толкателя для буханок.

Порядок эксплуатации (fig.4)

- A. Потяните рычаг на себя. Если машина оборудована задней крышкой (опция) (BEG — BEG ETL — BET), последняя автоматически откроется после воздействия на рычаг.
- B. Удерживая рычаг в этом положении, поместите буханку на заднюю полку (fig.3, н°14) между лезвиями и подвижной частью.
- C. Аккуратно отпустите рычаг. В результате этого действия буханка начнет проходить между лезвиями. После полного отпускания рычага заберите нарезанную буханку.

В конце рабочего дня нажмите на красную кнопку **аварийного останова (fig.1, н°10)**, чтобы отключить электропитание машины.

Рекомендация. После первых дней эксплуатации поручите квалифицированному специалисту проверить натяжение лезвий.

Производительность. Количество буханок, нарезаемых в день: 6.000 (в зависимости от типа хлеба).

Размеры буханки (Д x Ш x В) (см):

мин. 12 x 6 x 6, макс. 44 x 31 x 16 (на хлеборезке шириной 450)

мин. 12 x 6 x 6, макс. 58 x 31 x 16 (на хлеборезке шириной 600)

8 ТЕХНИЧЕСКОЕ ОБСЛУЖИВАНИЕ

8.1 Ежедневное, выполняется пользователем, прошедшим подготовку.

- A. Проверьте заполненность бака для крошек (fig.1 n°7).
- B. Очистите полки (fig.1, n°6) (fig.3, n°14) с помощью щетки.
- C. Протрите сухой салфеткой внутренние поверхности.
- D. Протрите влажной салфеткой внешние поверхности.

8.2 Через каждые 25 000 нарезок и (или) не реже 1 раза в год; выполняется аккредитованным специалистом.

Извлеките штекер из розетки (fig.2, n°13).

Проверьте состояние режущих лезвий (fig.1 n°3).

При констатации снижения качества нарезки закажите замену режущих лезвий (артикул JAC: 610026 в каталоге запасных частей компании JAC).

Если лезвия подлежат замене, эта операция должна быть выполнена в соответствии с процедурой замены ножей (fig.5, 6).

ОБРАТИТЕ ВНИМАНИЕ! Натяжка лезвий не должна быть избыточной, это может привести к деформации рамок.

Очистите внутренние поверхности машины с помощью щетки и пылесоса.

Проверьте состояние подшипников, смазку подшипников.

Смажьте шарнирные соединения установочного домкрата.

Проверьте внесение аккредитованным специалистом записей о выполненной работе в журнал технического обслуживания для сохранения 5-летней гарантии.

Дополнительные операции по техническому обслуживанию для моделей с системой смазки

Масло, рекомендуемое для использования: 7940019 (как указано в каталоге компании JAC в разделе «Запасные части»)

или жидкое пищевое растительное масло с натуральным антиоксидантом

Через каждые 1000 нарезок или раз в 15 дней; выполняется пользователем, прошедшим подготовку:

Добавить нужное количество пищевого масла (100-150 мл) для пропитки войлока КАРЕТКИ (включить кнопку перемещения каретки для получения доступа к пробке отверстия подачи масла).

Через каждые 25 000 нарезок и (или) не реже 1 раза в год; выполняется аккредитованным специалистом.



Извлеките штекер из розетки.
Заменить войлок толкателя.

8.3 Замена лезвий

Обязательно надевайте защитные перчатки, предохраняющие от порезов (стандарт EN 388: 2003, индекс В = 5), и защитную обувь во время выполнения замены лезвия или операций в непосредственной близости от лезвия.

Убедитесь, что штекер машины (fig.2 n°13) отсоединен от электросети.

Машины, не относящиеся к Misch (BEF — BEN — BEL — BEL ETL — BER — BEZ)

(fig.5)

- A. Открутите оба винта задней полки и пропустите ее назад, чтобы освободить переднюю полку.
- B. Открутите устройство для упаковки в пакеты с помощью левого и правого колесиков и открутите оба винта кожуха.
- C. Откройте кожух и открутите оба винта передней полки.
- D. Снимите переднюю полку.
- E. В верхней части передней рамки ослабьте винты **A**, удерживающие рамку на полипропиленовых пластинках (запрещено снимать пластинки с каркаса из-за риска нарушения заводских настроек).
- F. Уложите рамку вперед. Замените лезвия задней рамки (накройте чем-нибудь лезвия передней рамки, чтобы не порезаться). Ослабьте винты **B** с 6-гранным углублением под торцевой ключ, обеспечивающие натяжение лезвий. Замените лезвия, следя за тем, чтобы они правильно расположились в выступах противовесов. Восстановите натяжение лезвий, затянув винты **B**, используя в качестве ориентира ножи, оставшиеся на рамке.

Машины Misch (BEG — BEG ETL — BET — BEM)

(fig.6)

- A. Потяните рычаг на себя, чтобы переместить толкатель для буханок в заднюю часть машины, и нажмите на лапку, позволяющую заблокировать пресс в задней части машины.
- B. Открутите оба винта задней полки и протолкните ее, чтобы освободить переднюю полку.
- C. Открутите устройство для упаковки в пакеты с помощью левого и правого колесиков и открутите оба винта кожуха.
- D. Откройте кожух и открутите оба винта передней полки.
- E. Снимите переднюю полку.
- F. В верхней части передней рамки ослабьте винты **A**, удерживающие рамку на полипропиленовых пластинках (запрещено снимать пластинки с каркаса из-за риска нарушения заводских настроек).
- G. Уложите рамку вперед. Замените лезвия задней рамки (накройте чем-нибудь лезвия передней рамки, чтобы не порезаться). Ослабьте контргайки на винтах **B**. Ослабьте винты **B** с 6-гранным углублением под торцевой ключ, обеспечивающие натяжение лезвий. Замените лезвия, следя за тем, чтобы они правильно расположились в выступах противовесов. Восстановите натяжение лезвий, затянув винты **B**, используя в качестве ориентира ножи, оставшиеся на рамке. После этого зажмите гайки.

Во избежание деформации рамки и опасных поломок одновременно следует заменять не более 1–3 лезвий, чередуя левую и правую стороны.

Выполните ту же процедуру, начиная с пункта 6, для передней рамки и установите ее на место вместе с другими элементами корпуса машины.

Подключите машину к электросети. Машина готова к работе.

Проверьте внесение аккредитованным специалистом записей о выполненной работе в журнал технического обслуживания для сохранения 5-летней гарантии.

9 РАСХОДНЫЕ МАТЕРИАЛЫ

При заказе запасной части проверьте вместе с аккредитованным специалистом, о какой детали идет речь, по каталогу запасных частей, выпускаемому производителем.

Всегда уточняйте номер машины, указанный на заводском щитке.

Заказ в компании JAC может разместить ваш аккредитованный специалист.

9.1 Список РАСХОДНЫХ МАТЕРИАЛОВ

ITEM CODE	DESCRIPTION	MODEL
7240032	BELT	ALL
5690010	SLIDE PAD, 100 MM	ALL
5690020	FRAME STRIP	ALL
6110001	JAC KNIFE, 13 MM/0.5 MM	DURO 450
6110011	JAC KNIFE, 13 MM/0.5 MM + TEFLON	DURO 450M
6110019	JAC KNIFE, 13 MM/0.7 MM	DURO 600
5310019	LOAF HOLDER SPRING	ALL
5310026	LOAF HOLDER SPRING PLASTIC RING	ALL
5690151	LOAF HOLDER PAD	ALL
6120002	PUSHER FELT PAD	DURO 450M

Проблема	Проверка
Машина не работает	Подключить машину с помощью кабеля (fig.2, n°13).
	Разблокировать аварийный останов (fig.1, n°10).
	Закрыть крышку.
	Закрыть дверцу.
Машина работает, но буханки разрушаются или нарезаются неровно.	Проверить, не нужно ли заменить лезвия (fig.5, 6).
	Дать хлебу остыть несколько часов.
	Загрузить буханку подходящих размеров.
	Загрузить достаточно твердую буханку.
	Если лезвия сместились, отрегулировать лезвия и рамки.
Буханка вибрирует между лезвиями.	Если лезвия сместились, отрегулировать лезвия и рамки.
Хлеб нарезается слишком медленно.	Проверить, не нужно ли заменить лезвия (fig.5, 6).
	Убедиться в правильном положении пружин пресса для буханок (fig.8, n°19).
Буханка разрывается.	Если лезвия сместились, отрегулировать лезвия и рамки.
	Убедиться в правильном положении пружин пресса для буханок (fig.8, n°19).
Буханка выходит слишком медленно или остается между лезвиями.	Убедиться в правильном положении пружин пресса для буханок (fig.8, n°19).
Буханка выходит из лезвий раздавленной.	Извлечь пружину пресса для буханок и повторить проверку (fig.8, n°19).

ВНИМАНИЕ! Перед выполнением любых ремонтных работ машина должна быть отключена от электроснабжения.



Если проблема не устраняется, обратитесь к вашему техническому специалисту.

11 СПИСОК КОМПЛЕКТУЮЩИХ НА ИЗОБРАЖЕНИЯХ

Изображение	Номер	Название
1	1	Устройство для упаковки в пакеты
	2	Кожух
	3	Лезвия
	4	Пресс для буханок
	5	Толкатель буханок
	6	Передняя полка
	7	Бак для крошек
	8	Рычаг
	9	Регулировочное колесико на кожухе
	10	Кнопка аварийного останова
	11	Колесико
2	12	Каретка
	13	Кабель питания
3	14	Задняя полка
	15	Рабочая зона
7	16	Пиктограмма «Опасность пореза»
	17	Электросхема
	18	Пиктограмма «Опасность поражения электрическим током»
8	19	Съемная пружина пресса для буханок
9	20	Регулируемый упор устройства для упаковки в пакеты
11	21	Откидная полка Misch
	22	Аварийный выключатель на полке Misch
	23	Кнопка запуска Misch
	24	Счетчик нарезки Misch
12	25	Воздуходувка ASP
	26	Выключатель воздуходувки
13	27	Аварийный выключатель на крышке

1	ANTES DE LA PUESTA EN SERVICIO.....	66
2	GARANTÍA	66
3	ADVERTENCIAS.....	67
4	CARACTERÍSTICAS TÉCNICAS.....	68
4.1	Características técnicas.....	68
4.2	Detalle de materiales en contacto directo con el pan.....	68
5	INSTALACIÓN Y PUESTA EN SERVICIO.....	69
5.1	Desembalaje de la máquina:.....	69
5.2	Ubicación:	69
5.3	Conexión eléctrica:.....	69
5.4	Puesta en servicio:.....	70
5.5	Peligro:	70
6	CUADRO DE CONTROL Y DE SEGURIDAD.....	70
6.1	Cuadro de control:.....	70
6.2	Área de trabajo:	70
6.3	Cuadro de seguridad:.....	71
7	USO.....	71
8	LIMPIEZA.....	71
8.1	Diaria por un usuario formado.	71
8.2	Cada 25 000 cortes y/o 1 vez al año como mínimo, por un agente autorizado	72
8.3	Cambio de las cuchillas	72
9	CONSUMIBLES.....	74
9.1	Lista de CONSUMIBLES.....	74
10	INCIDENTES DE FUNCIONAMIENTO	75
11	LISTA DE COMPONENTES DE LAS FIGURAS.....	76

1 ANTES DE LA PUESTA EN SERVICIO

Gracias por elegir una solución JAC. Lea con atención este manual de uso antes de instalar y poner en servicio esta máquina. De esta forma, usted puede protegerse y evitar el deterioro de su máquina.

Este manual hace referencia a distintas figuras con el fin de facilitar la comprensión de las instrucciones. Estas figuras se encuentran al final del manual. Consúltelas cuando vea los siguientes símbolos: fig.X, n°Y.

Para que el funcionamiento de su máquina sea satisfactorio a lo largo de los próximos años, le invitamos a que lea los siguientes consejos:

- Solicite ayuda a su agente autorizado para la instalación, la puesta en servicio y el seguimiento.
- Para poder beneficiarse de la garantía de 5 años (consulte las condiciones recogidas a continuación), solicite a su distribuidor que complete la tarjeta de mantenimiento al instalar su máquina. Esta tarjeta de mantenimiento se encuentra en la parte trasera de su máquina.

2 GARANTÍA



JAC ofrece una garantía de 5 años en todos sus productos.

Esta garantía es válida para todas las piezas de su máquina, incluidas las electrónicas, excluyendo los consumibles. La garantía entra en vigor a partir de la fecha de instalación del material.

Con las siguientes condiciones restrictivas:

- El material debe haberse adquirido a un revendedor autorizado.
- La instalación deberá efectuarla un agente autorizado.
- El material debe utilizarse conforme a las indicaciones del manual de uso y para la finalidad para la que ha sido fabricado.
- El mantenimiento diario del material debe efectuarse conforme a las indicaciones del manual de uso.
- El agente autorizado debe hacer un seguimiento del mantenimiento conforme a las especificaciones de mantenimiento, como mínimo, una vez al año (mantenimiento a cargo del usuario).
- Deben utilizarse exclusivamente piezas originales JAC.



Si un agente autorizado no efectúa el seguimiento del mantenimiento y/o la tarjeta de mantenimiento no está cumplimentada correctamente, la garantía se limita a un año.

Esta garantía no cubre:

- La sustitución de consumibles (§9).
- Las piezas que nuestros servicios no reconozcan como defectuosas.
- Los problemas derivados de un uso anormal del material.
- Los problemas derivados de una instalación no efectuada por un agente autorizado.

- Las piezas o los problemas causados por daños en el transporte o por un mantenimiento inadecuado.

Una reparación y/o una sustitución de piezas defectuosas efectuadas durante el periodo de garantía no supondrá la prolongación de dicha garantía.

3 ADVERTENCIAS

Es muy importante conservar este manual de uso junto con el aparato para futuras consultas. Si este aparato se vende o se transfiere a otra persona, asegúrese de que se le entrega también el manual de uso para que el usuario pueda estar informado de su funcionamiento y de las advertencias que se recogen aquí.



Estas advertencias se dan por su seguridad y la de los demás. Le rogamos que las lea con atención antes de instalar y utilizar el aparato.

Esta máquina está diseñada para su uso por adultos autorizados. Asegúrese de que los niños no la toquen o que no la usen como un juguete.

Esta máquina está destinada únicamente a un uso profesional.

Es peligroso modificar o intentar modificar las características de esta máquina.

Después de instalar la máquina, asegúrese de que no aplasta el cable de alimentación.

Siga las instrucciones de uso.

Esta máquina debe almacenarse y utilizarse dentro de un local, protegida de la humedad y del calor.

Esta máquina debe estar suficientemente iluminada para efectuar el trabajo.

Esta máquina tiene un nivel sonoro inferior a 75 dB(A) según la norma EN ISO 3744.

Esta máquina debe utilizarla una sola persona a la vez (salvo indicación contraria).

Esta máquina está diseñada para el corte de panes cocidos y templados.



Esta máquina no está destinada a los siguientes panes y materiales:

- Panes calientes, panes duros.
- Panes congelados o parcialmente descongelados.
- Panes completos con una corteza dura y otros tipos de pan con corteza dura.
- Panes de centeno.
- Productos no comestibles como la madera, el plástico y materiales similares.
- Cualquier otro alimento que no forme parte de la categoría de panes o bizcochos.

La máquina puede sufrir daños al cortar panes o materiales no permitidos.



Desconecte siempre la toma de corriente antes de proceder a la limpieza interior y exterior del aparato y a las operaciones de mantenimiento.

Este aparato es pesado. Tome todas las precauciones de seguridad durante su mantenimiento.

4 CARACTERÍSTICAS TÉCNICAS

4.1 Características técnicas

	DURO 450	DURO 450 M	DURO 600
Altura (mm)	1243	1243	1243
Anchura (mm)	663	663	843
Profundidad (mm)	760	760	760
Longitud del canal de entrada (mm)	320	320	320
Anchura del canal de entrada (mm)	590	590	590
Altura del canal de entrada (mm)	160	160	160
Embalaje (mm)	800 x 860 x 1600	800 x 860 x 1600	800 x 860 x 1600
Peso neto (k)	150	165	175
Peso neto + embalaje (k)	170	185	195
Potencia del motor (kW)	0,49	0,49	0,49
Tipo de motor	Monofásico o trifásico	Monofásico o trifásico	Monofásico o trifásico
220 v - 50 Hz (A)	5	5	5
380 v - 50 Hz (A)	3,2	3,2	3,2
Capacidad (panes/hora)	200<500	200<500	200<500
Nivel sonoro (dB)	<75	<75	<75

Motor reforzado	Opcional
Soplador embolsador	Opcional
Sobreelevación de 4 cm	Opcional
Sobreelevación de 8 cm	Opcional
Tapa de seguridad trasera	Opcional
Doble rebanada	Opcional
Contador diario	Opcional
Color especial	Opcional
Cuchillas especiales	Opcional

4.2 Detalle de materiales en contacto directo con el pan.

Tabla de entrada: INOX 430
Empujador de pan: INOX 430
Rodillo: INOX 430
Cuchillas: Acero
Tabla de salida: INOX 430
Embolsador: INOX 430

5.1 Desembalaje de la máquina:

Las máquinas que salen de nuestros talleres se entregan en palés atados y protegidos con cartón. Antes de realizar cualquier acción, debe observarse el embalaje e informar al transportista de cualquier daño debido al transporte.

- A. Quite el cartón y el plástico de embalaje de la máquina.
- B. Quite las cinchas prestando especial atención a su distensión al seccionarlas.
- C. Separe la máquina del palé levantando los listones de madera que bloquean las ruedas.
- D. Baje la máquina del palé. Efectúe esta operación entre dos personas como mínimo para amortiguar al máximo el contacto con el suelo.
- E. Coloque el tope ajustable del embolsador en el embolsador (fig.10, n°20).

Después de desembalar su máquina, compruebe que no ha sufrido daños durante el transporte. Infórmenos de cualquier anomalía.

5.2 Ubicación:

Para obtener un rendimiento excelente y una fiabilidad a largo plazo, elija una ubicación que esté:

Bien ventilada, protegida de los rayos directos del sol y alejada de fuentes de calor, con una superficie robusta y sin vibraciones.

5.3 Conexión eléctrica:

IMPORTANTE: La toma de tierra es obligatoria.

Es aconsejable proteger la instalación con un fusible y un disyuntor diferencial.

La instalación eléctrica que suministra energía a la máquina debe estar protegida tal y como se indica a continuación:

- América del Norte: Protección 15 A.
- Resto del mundo: Protección 16 A.

Las máquinas equipadas con un variador deben estar conectadas obligatoriamente a una caja de derivación en una línea equipada con un diferencial de 300 mA.

Nota: La garantía no cubrirá cualquier problema ocasionado por una conexión de otro tipo.

Antes de conectar su máquina a la red y con el fin de evitar una avería del motor al encenderla, es importante comprobar la adecuación de la red de alimentación a las características de la máquina (consulte la placa informativa de la máquina).

Este aparato cumple con las directivas sobre máquinas 2006/42, 2006/95 y 2004/108 y lleva el marcado CE que lo certifica.

Consulte los pictogramas de seguridad que figuran en la máquina:



Pictograma que indica un riesgo de corte. Lo encontrará en la parte delantera de la máquina, alrededor de la zona de colocación del pan (fig.7, n°16)

Encontrará el esquema eléctrico de la máquina en la parte trasera de la puerta de la caja eléctrica (fig.7, n°17)



Pictograma que indica un riesgo de electrocución. Desconecte la máquina antes de hacer cualquier intervención. Lo encontrará en la parte trasera de la máquina, cerca del cable de alimentación y dentro de la máquina en la caja eléctrica (fig.7, n°18)

5.4 Puesta en servicio:

Antes de la puesta en servicio, asegúrese de que no queda ningún objeto sobrante en las partes en movimiento de la máquina.

Para utilizar la máquina, consulte el apartado «Uso».

5.5 Peligro:

En caso de peligro para el usuario o para la máquina, debe utilizar el interruptor general para cortar la alimentación de la máquina.

Quite el enchufe de la toma de corriente antes de efectuar cualquier operación de mantenimiento y de limpieza.

No toque la cuchilla incluso si la máquina está parada.

Para cambiar la cuchilla, solicite la intervención de su distribuidor autorizado.

Lleve siempre guantes de protección anticorte al sustituir la cuchilla o cuando trabaje cerca de la cuchilla.

Cualquier operación de mantenimiento o de sustitución de piezas debe efectuarla una persona cualificada.

6 CUADRO DE CONTROL Y DE SEGURIDAD

6.1 Cuadro de control:

Su cortadora está equipada de serie con un botón de detención de emergencia.

Su cortadora puede estar equipada con un botón de puesta en marcha opcional (fig.11, n°23) (BEF – BEM)

6.2 Área de trabajo:

El área de trabajo está situada en la parte delantera de la máquina (fig.3, n°15)

6.3 Cuadro de seguridad:

Esta máquina está equipada con:

Una palanca que acciona la puesta en marcha de la máquina y el corte del pan. Al soltar la palanca, la máquina se detiene

Un interruptor de seguridad que impide que la máquina funcione cuando la tabla delantera de una máquina Misch está abierta (fig.11, n°22).

Un interruptor de seguridad que impide que la máquina funcione cuando la tapa (en máquinas equipadas con tapa trasera) está abierta (fig.13, n°27).

7 **USO**

Para utilizar la máquina, las ruedas provistas de freno deben estar bloqueadas (fig.1, n°11).

Al principio del día, encienda la máquina con ayuda del botón de detención de emergencia (fig.1, n°10).

Después de encenderla con la detención de emergencia y si su máquina está equipada con un sistema de engrasado Misch (BEF - BEM), es obligatorio pulsar el botón de puesta en marcha de los cuchillos (fig.2, n°14) para liberar el empujador de pan de las cuchillas.

Procedimiento de uso (fig.4)

- A. Tire de la palanca hacia usted. Si su máquina está equipada con una tapa trasera (opcional) (BEG – BEG ETL - BET), esta última se abrirá automáticamente al accionar la palanca.
- B. Manteniendo sujeta la palanca, coloque el pan en la tabla trasera (fig.3, n°14), entre las cuchillas y la parte móvil.
- C. Suelte la palanca con suavidad. Esta acción empujará el pan a través de las cuchillas. Una vez que ha soltado la palanca completamente, puede recoger el pan cortado.

Al final del día, pulse el botón rojo **de detención de emergencia (fig.1, n°10)** para apagar la máquina.

Recomendación: Después de los primeros días de trabajo, pida a una persona cualificada que compruebe la tensión de las cuchillas.

Capacidad: Número de panes cortados al día: 6 000 (según el tipo de pan).

Tamaño del pan (l x anch. x alt.) (cm):

mín. 12 x 6 x 6 - máx. 44 x 31 x 16 (en cortadoras de 450 de ancho)

mín. 12 x 6 x 6 - máx. 58 x 31 x 16 (en cortadoras de 600 de ancho)

8 **LIMPIEZA**

8.1 Diaria por un usuario formado.

- A. Compruebe si debe vaciar la bandeja de migas (fig.1, n°7)
- B. Limpie las tablas (fig.1, n°6) (fig.3, n°14) con un cepillo
- C. Utilice un paño seco para limpiar el interior

D. Para la limpieza exterior, utilice un paño húmedo

8.2 Cada 25 000 cortes y/o 1 vez al año como mínimo, por un agente autorizado

Quite el enchufe de la toma de corriente (fig.2, n°13)

Compruebe el estado de las cuchillas de corte (fig.1, n°3)

Si se percibe una bajada de la calidad de corte, es necesario sustituir las cuchillas de corte (referencia JAC: 610026 del catálogo de Piezas de Recambio JAC)

Si se deben cambiar, hágalo de acuerdo con el procedimiento de cambio de las cuchillas de corte (fig.5, 6)

NOTA: No tense las cuchillas en exceso, ya que podría deformar los marcos.

Limpie con un cepillo y aspire el interior de la máquina.

Compruebe el estado de los rodamientos y engráselos.

Engrase las articulaciones del elevador.

Compruebe que su agente autorizado registre su intervención en su tarjeta de mantenimiento para conservar su garantía de 5 años.

Complemento de mantenimiento para los modelos con engrasado

El aceite que se debe utilizar es: 7940019 (como se indica en el catálogo JAC «Piezas de Recambio»

O un aceite vegetal líquido alimentario con antioxidante natural

Cada 1000 cortes o cada 15 días, por un usuario formado:

Añada la dosis de aceite alimentario (de 100 a 150 ml) necesaria para empapar los fieltros del carro (accione el botón de avance de carro para permitir el acceso al tapón de suministro de aceite).

Cada 25 000 cortes y/o 1 vez al año como mínimo, por un agente autorizado:

Quite el enchufe de la toma de corriente.

Cambie los fieltros del empujador.

8.3 Cambio de las cuchillas.

Lleve siempre guantes de protección anticorte (Norma EN 388: 2003 índice B= 5) y calzado de seguridad al sustituir la cuchilla o cuando trabaje cerca de la cuchilla.

Asegúrese de que el enchufe de su máquina (fig.2, n°13) está desconectado de la corriente.

Máquinas no Misch (BEF – BEH – BEL – BEL ETL – BER – BEZ)

(fig.5)

- A. Afloje los dos tornillos de la tabla trasera y deslícela hacia la parte trasera para quitar la tabla delantera.
- B. Desatornille el embolsador con ayuda de la llave de la izquierda, la llave de la derecha y afloje los dos tornillos del forro.
- C. Abra el forro y afloje los dos tornillos de la tabla delantera.
- D. Quite la tabla delantera.
- E. En la parte superior del marco delantero, afloje los tornillos **A** que sujetan el marco a las láminas de polipropileno (no desmonte nunca las láminas de la carcasa, ya que podría modificar los ajustes de fábrica).
- F. Empuje el marco hacia adelante. Sustituya las cuchillas del marco trasero (coloque algo para protegerse sobre las cuchillas del marco delantero). Afloje los tornillos **B** hexagonales huecos que tensan las cuchillas. Sustituya las cuchillas comprobando que estén bien colocadas en



los pasadores de los balancines. Vuelva a tensar las cuchillas apretando los tornillos **B**, teniendo como referencia para la tensión las cuchillas que han quedado en el marco.

Máquinas Misch (BEG – BEG ETL – BET – BEM)

(fig.6)

- A. Tire de la palanca hacia usted para colocar el empujador de panes en la parte trasera de la máquina y accionar la pata que permite bloquear el rodillo en la parte trasera.
- B. Afloje los dos tornillos de la tabla trasera y deslícela para quitar la tabla delantera.
- C. Desatornille el embolsador con ayuda de la llave de la izquierda, la llave de la derecha y afloje los dos tornillos del forro.
- D. Abra el forro y afloje los dos tornillos de la tabla delantera.
- E. Quite la tabla delantera.
- F. En la parte superior del marco delantero, afloje los tornillos **A** que sujetan el marco a las láminas de polipropileno (no desmonte nunca las láminas de la carcasa, ya que podría modificar los ajustes de fábrica).
- G. Empuje el marco hacia adelante. Sustituya las cuchillas del marco trasero (coloque algo para protegerse sobre las cuchillas del marco delantero). Afloje las contratuercas atornilladas en los tornillos **B**. Afloje los tornillos **B** hexagonales huecos que tensan las cuchillas. Sustituya las cuchillas comprobando que estén bien colocadas en los pasadores de los balancines. Vuelva a tensar las cuchillas apretando los tornillos **B**, teniendo como referencia para la tensión las cuchillas que han quedado en el marco. A continuación, apriete las tuercas.

Para no deformar el marco y evitar roturas peligrosas, sustituya solamente entre 1 y 3 cuchillas a la vez alternando de izquierda a derecha.

Vuelva a empezar el procedimiento a partir del punto 6 para el marco delantero y vuelva a colocar el marco delantero y los elementos de protección.

Conecte la máquina a la red eléctrica, la máquina está lista.

Compruebe que su agente autorizado registre su intervención en su tarjeta de mantenimiento para conservar su garantía de 5 años.

9 CONSUMIBLES

Al pedir una pieza de recambio, compruebe con su agente autorizado de qué pieza se trata con base en el catálogo de piezas de recambio del fabricante.

Indique siempre el número de máquina tal y como se indica en la placa informativa.

Su agente efectuará el pedido a JAC.

9.1 Lista de CONSUMIBLES

CÓDIGO DE ARTÍCULO	ETIQUETA	MODELO
7240032	CORREA	TODOS
5690010	PATÍN DE GUÍA 100 MM	TODOS
5690020	LÁMINA DE MARCOS	TODOS
6110001	CUCHILLA JAC 13 MM/0,5 MM	DURO 450
6110011	CUCHILLA JAC 13 MM/0,5 MM + TEFLÓN	DURO 450M
6110019	CUCHILLA JAC 13 MM/0,7 MM	DURO 600
5310019	MUELLE DEL RODILLO	TODOS
5310026	MUELLE DEL RODILLO CON ANILLO DE PLÁSTICO	TODOS
5690151	PATÍN DEL RODILLO	TODOS
6120002	FIELTRO DEL EMPUJADOR	DURO 450M

Problema	Comprobación
La máquina no gira	Conecte la máquina con el cable (fig.2, n°13)
	Desbloquee la parada de emergencia (fig.1, n°10)
	Cierre la tapa
	Cierre la puerta
La máquina funciona, pero los panes están dañados o cortados de forma irregular	Compruebe si es necesario sustituir las cuchillas (fig.5,6)
	Deje que el pan se enfríe unas horas
	Introduzca un pan con el tamaño adecuado
	Introduzca un pan lo suficientemente firme
	Si las cuchillas están desalineadas, ajuste las cuchillas y los marcos
El pan vibra en las cuchillas	Si las cuchillas están desalineadas, ajuste las cuchillas y los marcos
El pan se corta demasiado lento	Compruebe si es necesario sustituir las cuchillas (fig.5,6)
	Compruebe que los muelles del rodillo están bien colocados (fig.8, n°19)
El pan se rompe	Si las cuchillas están desalineadas, ajuste las cuchillas y los marcos
	Compruebe que los muelles del rodillo están bien colocados (fig.8, n°19)
El pan sale muy lentamente o se queda en las cuchillas	Compruebe que los muelles del rodillo están bien colocados (fig.8, n°19)
El pan está aplastado al salir de las cuchillas	Quite un muelle del rodillo y vuelva a empezar su prueba (fig.8, n°19)

ATENCIÓN: Para cualquier intervención, la máquina deberá estar desenchufada obligatoriamente.



Si el problema persiste, póngase en contacto con su técnico.

11 LISTA DE COMPONENTES DE LAS FIGURAS

Figura	Número	Nombre
1	1	Embolsador
	2	Forro
	3	Cuchillas
	4	Rodillo
	5	Empujador de pan
	6	Tabla delantera
	7	Bandeja de migas
	8	Palanca
	9	Llave del forro
	10	Botón de detención de emergencia
	11	Rueda
2	12	Carro
	13	Cable de alimentación
3	14	Tabla trasera
	15	Área de trabajo
7	16	Señal «riesgo de corte»
	17	Esquema eléctrico
	18	Señal «riesgo de electrocución»
8	19	Muelle de rodillo extraíble
9	20	Tope ajustable del embolsador
11	21	Tabla abatible Misch
	22	Interruptor de seguridad de tabla Misch
	23	Botón de activación Misch
	24	Contador de corte Misch
12	25	Soplador ASP
	26	Interruptor del soplador
13	27	Interruptor de seguridad de la tapa

1	PRIMA DELLA MESSA IN FUNZIONE	78
2	GARANZIA	78
3	AVVERTENZE	79
4	CARATTERISTICHE TECNICHE	80
4.1	Caratteristiche tecniche	80
4.2	Dettaglio materiali a contatto con il pane	80
5	INSTALLAZIONE E MESSA IN FUNZIONE	81
5.1	Disimballo della macchina:	81
5.2	Posizionamento:	81
5.3	Collegamento elettrico:	81
5.4	Messa in servizio:	82
5.5	Pericolo:	82
6	ORGANO DI COMANDO E DI SICUREZZA	82
6.1	Organo di comando:	82
6.2	Zona di lavoro:	82
6.3	Organi di sicurezza:	83
7	UTILIZZO	83
8	MANUTENZIONE	83
8.1	Quotidiana da parte di un utilizzatore addestrato.	83
8.2	Ogni 25.000 tagli e/o 1 volta l'anno almeno, da parte di un tecnico autorizzato.	84
8.3	Sostituzione delle lame.	84
9	COMPONENTI DI CONSUMO	86
9.1	Elenco dei COMPONENTI DI CONSUMO	86
10	INCIDENTI DI FUNZIONAMENTO	87
11	ELENCO DEI COMPONENTI INDICATI NELLE FIGURE	88

1 PRIMA DELLA MESSA IN FUNZIONE

Grazie per aver scelto una soluzione JAC. Si invita a leggere con attenzione queste note informative prima di procedere all'installazione e alla messa in servizio di questa macchina. Contengono informazioni su come proteggersi e come evitare il deterioramento della macchina.

Queste informazioni fanno riferimento a diverse figure, in modo da facilitare la comprensione delle istruzioni. Le figure si trovano al fondo delle informazioni. Si invita a farvi riferimento quando si incontrano i seguenti simboli (fig. X, n. Y).

Per una totale soddisfazione dall'utilizzo della macchina nei prossimi anni, si invita a tenere presenti i seguenti consigli:

- Farsi aiutare dal tecnico autorizzato per l'installazione, la messa in servizio e il follow-up.
- Per beneficiare della garanzia di 5 anni (vedere le condizioni riportate in seguito), far compilare dal distributore, il libretto di manutenzione al momento dell'installazione della macchina. Il libretto di manutenzione si trova nella parte posteriore della macchina.

2 GARANZIA



JAC offre una garanzia di 5 anni su tutti i suoi prodotti.

Questa garanzia è valida su tutte le parti della macchina, comprese quelle elettroniche, a parte i componenti di consumo. La garanzia entra in vigore a partire dalla data di installazione del materiale.

Secondo le seguenti condizioni restrittive:

- Materiale acquistato presso un rivenditore autorizzato.
- Installazione effettuata da un tecnico autorizzato.
- Utilizzo del materiale conformemente alle indicazioni sul modo di utilizzo e nel rispetto della finalità per la quale è stato fabbricato.
- Materiale quotidianamente mantenuto nel rispetto delle indicazioni delle modalità di utilizzo.
- Manutenzioni successive da parte del tecnico autorizzato conformemente alle specifiche di manutenzione con, al minimo, una manutenzione l'anno (manutenzione a carico dell'utente).
- L'utilizzo esclusivo di parti originali JAC.



Se non si eseguono interventi di manutenzione da parte di un tecnico autorizzato e/o il libretto di manutenzione non è correttamente completato, la garanzia si limita ad un anno.

Questa garanzia non copre:

- La sostituzione dei componenti di consumo (§9).
- Le parti non riconosciute difettose dai nostri servizi.
- I problemi derivanti da un utilizzo anomalo del materiale.
- I problemi derivanti da un'installazione non effettuata da un tecnico autorizzato.

- Le parti o i problemi derivanti da un danno di trasporto o da una manutenzione inadeguata.

Una riparazione e/o una sostituzione di parti difettose effettuate durante il periodo di garanzia non producono l'effetto di prolungare detta garanzia.

3 AVVERTENZE

È molto importante che le istruzioni per l'utilizzo siano conservate con l'apparecchio per ogni consultazione futura. Se questo macchinario deve essere venduto o trasferito ad un'altra persona, accertarsi che le istruzioni per l'utilizzo siano consegnate all'utente destinatario in modo che possa essere informato sul funzionamento e sui messaggi di avvertenza ad esso riferiti.



Tali avvertenze sono fornite per la vostra sicurezza e per quella altrui. Si prega di leggerle con attenzione prima di installare e utilizzare il macchinario.

Questa macchina è stata progettata per essere utilizzata da adulti autorizzati. Accertarsi quindi che i bambini non le si avvicinino e che non la utilizzino come un giocattolo.

Questa macchina è destinata unicamente ad un uso professionale.

È pericoloso modificare o provare a modificare le caratteristiche di questa macchina.

Accertarsi dopo averla installata, che non appoggi sul cavo di alimentazione.

Seguire le istruzioni fornite per l'utilizzo.

Questa macchina deve essere sistemata e utilizzata all'interno di un locale, al riparo da umidità e calore.

Deve essere illuminata a sufficienza per poter funzionare.

La macchina produce un livello di rumore inferiore a 75 dB(A), conforme alla norma EN ISO 3744.

La macchina deve essere utilizzata da una sola persona per volta (salvo prescrizioni contrarie).

Questa macchina è destinata al taglio del pane cotto e raffreddato.



Questa macchina non è destinata ai seguenti materiali e tipi di pane:

- Pane caldo, pane raffermo.
- Pane congelato, o parzialmente scongelato.
- Pane integrale con una crosta dura e altri tipi di pane a crosta dura.
- Pane di segale.
- Prodotti non commestibili come legno, plastica e materiali simili.
- Ogni alimento che non fa parte della categoria dei tipi di pane o delle torte.



La macchina si può danneggiare con il taglio di pani o materiali non autorizzati.

Staccare sempre il cavo di alimentazione prima di procedere alla pulizia interna/esterna del macchinario e alle operazioni di manutenzione.

Questo macchinario è pesante. Adottare tutte le precauzioni di sicurezza al momento della manutenzione.

4 CARATTERISTICHE TECNICHE

4.1 Caratteristiche tecniche

	DURO 450	DURO 450 M	DURO 600
Altezza (mm)	1243	1243	1243
Larghezza (mm)	663	663	843
Profondità (mm)	760	760	760
Altezza del canale d'ingresso (mm)	320	320	320
Larghezza del canale d'ingresso (mm)	590	590	590
Altezza del canale d'ingresso (mm)	160	160	160
Imballaggio (mm)	800 x 860 x 1600	800 x 860 x 1600	800 x 860 x 1600
Peso netto (kg)	150	165	175
Peso NETTO + imballaggio (kg)	170	185	195
Potenza motore (kW)	0,49	0,49	0,49
Tipo di motore	Monofase o trifase	Monofase o trifase	Monofase o trifase
220v - 50Hz (A)	5	5	5
380v - 50Hz (A)	3,2	3,2	3,2
Capacità (forme di pane/ora)	200<500	200<500	200<500
Livello sonoro (dB)	<75	<75	<75

Motore rinforzato	opzionale
Soffiatrice-insacchettatrice	opzionale
Sopraelevazione di 4 cm	opzionale
Sopraelevazione di 8cm	opzionale
Coperchio di sicurezza posteriore	opzionale
Fetta doppia	opzionale
Contatore giornaliero	opzionale
Colore speciale	opzionale
Coltelli speciali	opzionale

4.2 Dettaglio materiali a contatto con il pane.

Ripiano di alimentazione: INOX 430

Spingipane: INOX 430

Premipane: INOX 430

Lame: Acciaio

Ripiano d'uscita: INOX 430

Insacchettatrice: INOX 430

5.1 Disimballo della macchina:

Le macchine sono consegnate, franco fabbrica, su pallet, legate con cinghie e protette con pannelli di cartone. Prima di tutto, occorre esaminare l'imballaggio e ogni danno dovuto al trasporto deve essere dichiarato direttamente all'addetto alla consegna.

- A. Togliere il cartone e il sacchetto d'imballaggio dalla macchina.
- B. Togliere le cinghie facendo particolare attenzione allo sgancio di queste ultime durante il taglio.
- C. Staccare la macchina dal pallet togliendo i listelli di legno che bloccano le ruote.
- D. Far scendere la macchina dal pallet. Accertarsi di essere almeno in due per questa operazione per ammortizzare al meglio il contatto con il terreno.
- E. Posizionare il riscontro regolabile dell'insacchettatrice su quest'ultima (fig.10, n. 30).

Dopo il disimballo della macchina, verificare che non abbia subito danni durante il trasporto. Segnalare ogni anomalia.

5.2 Posizionamento:

Per ottenere performance eccellenti e affidabilità a lungo termine, scegliere una posizione:

Ben ventilata, al riparo dai raggi solari diretti e lontano da fonti di calore, con una superficie robusta e priva di vibrazioni.

5.3 Collegamento elettrico:

IMPORTANTE: Messa a terra obbligatoria.

Si consiglia di proteggere l'impianto con un fusibile e un salvavita.

L'impianto elettrico che alimenta la macchina deve essere protetto secondo quanto indicato qui di seguito:

- Nord America: Protezione 15 A;
- Resto del mondo: Protezione 16 A.

Le macchine dotate di variatore, devono necessariamente essere collegate ad una scatola di derivazione su di una linea dotata di salvavita da 300 mA.

Nota: Ogni problema derivante da un altro tipo di collegamento non sarà preso in considerazione ai fini della garanzia.

Prima di collegare la macchina alla rete e onde evitare una dismissione del motore all'avvio, è importante verificare la compatibilità della rete di alimentazione con le caratteristiche della macchina (vedere la relativa targa segnaletica).

Questo apparecchio è conforme alla direttiva Macchine 2006/42, 2006/95, 2004/108 e reca la marcatura CE che attesta detta conformità.

Si invita a prendere visione della segnaletica di sicurezza che figura sulla macchina:



Segnale che indica un rischio di taglio. Si trova davanti alla macchina nella zona di deposito del pane (fig. 7, n. 16).

Sul retro della porta del quadro elettrico si trova lo schema elettrico della macchina (fig. 7, n. 17).



Segnale che indica un rischio di folgorazione. Scollegare il cavo di alimentazione prima di qualsiasi intervento sulla macchina. Si trova nella parte posteriore della macchina vicino al cavo di alimentazione e all'interno della macchina sul quadro elettrico (fig. 7, n.18).

5.4 Messa in servizio:

Prima della messa in servizio, accertarsi che non vi siano oggetti estranei sulle parti in movimento della macchina.

Per l'utilizzo della macchina, fare riferimento al capitolo "Utilizzo".

5.5 Pericolo:

In caso di pericolo per l'utente o per la macchina, utilizzare l'interruttore generale per interrompere l'alimentazione della macchina.

Estrarre la spina della presa elettrica prima di ogni operazione di manutenzione o di assistenza.
Non toccare la lama, anche all'arresto.

Per la sostituzione della lama, rivolgersi al distributore autorizzato.

Indossare sempre guanti di protezione anti-taglio per la sostituzione della lama o per un'operazione nelle vicinanze della lama.

Ogni operazione di manutenzione o sostituzione delle parti deve essere effettuata da una persona qualificata.

6 ORGANO DI COMANDO E DI SICUREZZA

6.1 Organo di comando:

La taglierina è dotata di serie di un pulsante di arresto d'emergenza

La taglierina può essere dotata di un pulsante opzionale di messa in funzione (fig. 11, n. 23) (BEF – BEM).

6.2 Zona di lavoro:

La zona di lavoro si trova davanti alla macchina (fig. 3 n. 15).

6.3 Organi di sicurezza:

Questa macchina è dotata:

Di una leva che aziona la messa in funzione della macchina e il taglio del pane. Il rilascio della leva comporta l'arresto della macchina.

Di un interruttore di sicurezza che impedisce alla macchina di funzionare quando il ripiano anteriore di una macchina di tipo Misch è in posizione aperta (fig. 11, n. 22).

Di un interruttore di sicurezza che impedisce alla macchina di funzionare quando il coperchio (macchina dotata di coperchio posteriore) è aperto (fig. 13, n. 27).

7 UTILIZZO

Per l'utilizzo, le rotelle provviste di freno devono essere bloccate (fig. 1, n. 11).

Ad inizio giornata, alimentare la macchina tramite l'arresto d'emergenza (fig. 1, n. 10). Dopo l'alimentazione tramite arresto d'emergenza e se la macchina è dotata di un sistema di lubrificazione Misch (BEF - BEM) è obbligatorio premere il pulsante di messa in funzione dei coltelli (fig. 2, n. 14) per liberare lo spingipane dalle lame.

Procedura di utilizzo (fig. 4).

- A. Tirare la leva verso di sé. Se la macchina è dotata di coperchio posteriore (opzionale) (BEG – BEG ETL - BET), questo si apre automaticamente con l'azionamento della leva.
- B. Mentre la leva è tirata, posizionare il pane sul ripiano posteriore (fig. 3, n. 14), tra le lame e la parte mobile.
- C. Rilasciare lentamente la leva. Questa azione ha l'effetto di spingere il pane attraverso le lame. Una volta rilasciata del tutto la leva, recuperare il pane tagliato.

A fine giornata, premere il pulsante rosso **d'arresto d'emergenza** (fig. 1, n. 10) per togliere l'alimentazione alla macchina.

Consiglio: Dopo i primi giorni di lavoro, far controllare la tensione delle lame da una persona qualificata.

Capacità: Numero di forme di pane tagliate al giorno: 6.000 (a seconda del tipo di pane).

Dimensioni del pane (L x l x h) (cm):

min. 12 x 6 x 6 - max. 44 x 31 x 16 (su taglierina da 450 di larghezza)

min. 12 x 6 x 6 - max. 58 x 31 x 16 (su taglierina da 600 di larghezza)

8 MANUTENZIONE

8.1 Quotidiana da parte di un utilizzatore addestrato.

- A. Verificare se occorre svuotare il cassetto raccogli-briciole (fig. 1, n. 7).
- B. Pulire i ripiani (fig. 1, n. 6) (fig. 3, n. 14) con una spazzola.
- C. Utilizzare un panno asciutto per la pulizia interna.
- D. Per la manutenzione esterna, utilizzare un panno umido.

8.2 Ogni 25.000 tagli e/o 1 volta l'anno almeno, da parte di un tecnico autorizzato.

Staccare la presa della corrente (fig. 2, n. 13).

Verificare lo stato delle lame da taglio (fig. 1, n. 3).

Se si nota un deterioramento della qualità del taglio occorre procedere alla sostituzione delle lame da taglio (riferimento JAC: 610026 del catalogo di Parti di ricambio JAC).

Se sono da cambiare, sostituire le lame nel rispetto della procedura di sostituzione delle lame da taglio (fig. 5, 6).

N.B.: Non tendere eccessivamente le lame, altrimenti si rischia di deformare i telai.

Pulire con una spazzola e aspirare l'interno della macchina.

Verificare lo stato dei cuscinetti, quindi lubrificarli.

Ingrassare le articolazioni del martinetto.

Verificare attentamente che il tecnico autorizzato registri l'intervento sul libretto di manutenzione al fine di mantenere la garanzia di 5 anni.

Complemento di manutenzione per i modelli con lubrificazione.

**L'olio da utilizzare è: 7940019 (come menzionato nel catalogo JAC "parti separate")
O un olio vegetale liquido alimentare con antiossidante naturale.**

Ogni 1000 tagli o ogni 15 giorni, da parte di un utilizzatore addestrato:

Aggiungere la dose di olio alimentare (da 100 a 150 ml) necessario per imbire i feltri del CARRELLO (azionare il pulsante di avanzamento carrello per consentire l'accesso al bocchettone di alimentazione dell'olio);

Ogni 25.000 tagli e/o 1 volta l'anno almeno, da parte di un tecnico autorizzato:

Staccare la presa della corrente.

Sostituire i feltri dello spingitore.

8.3 Sostituzione delle lame.

Far sempre attenzione ad indossare guanti di protezione anti-taglio (Norma EN 388: 2003 indice B=5) e scarpe di sicurezza al momento della sostituzione della lama o di un'operazione vicino alla lama. Accertarsi che la presa della macchina (fig. 2 n. 13) sia ben scollegata dalla corrente.

Macchine non Misch (BEF – BEH – BEL – BEL ETL – BER – BEZ)

(fig. 5)

- A. Svitare le due viti del ripiano posteriore e farlo scivolare indietro per liberare il ripiano anteriore.
- B. Svitare l'insacchettatrice tramite la ruota di sinistra, quella di destra, e svitare le due viti della cuffia.
- C. Aprire la cuffia e svitare le due viti del ripiano anteriore.
- D. Estrarre il ripiano anteriore.
- E. Nella parte superiore del telaio anteriore, allentare le viti **A** che fissano il telaio alle lamelle di polipropilene (non smontare mai le lamelle della struttura, altrimenti si rischia di modificare le regolazioni del produttore).
- F. Adagiare il telaio in avanti. Sostituire le lame del telaio posteriore (proteggersi dalle lame del telaio anteriori). Svitare le viti **B** a esagono incassate che tendono le lame. Sostituire le lame controllando che siano ben posizionate nella sporgenza dei bilancieri. Ridistendere le lame serrando le viti **B**, avendo come riferimento per la tensione le lame rimaste sul telaio.

Macchine Misch (BEG – BEG ETL – BET – BEM)

(fig. 6)

- A. Tirare la leva verso di sé per posizionare lo spingipane verso il retro della macchina e azionare l'asta che consente di bloccare indietro il premipane.
- B. Svitare le due viti del ripiano posteriore e farlo scivolare indietro per liberare il ripiano anteriore.
- C. Svitare l'insacchettatrice tramite la ruota di sinistra, quella di destra, e svitare le due viti della cuffia.
- D. Aprire la cuffia e svitare le due viti del ripiano anteriore.
- E. Estrarre il ripiano anteriore.
- F. Nella parte superiore del telaio anteriore, allentare le viti **A** che fissano il telaio alle lamelle di polipropilene (non smontare mai le lamelle della struttura, altrimenti si rischia di modificare le regolazioni del produttore).
- G. Adagiare il telaio in avanti. Sostituire le lame del telaio posteriore (proteggersi dalle lame del telaio anteriori). Allentare i controdadi avvitati sulle viti **B**. Svitare le viti **B** a esagono incassate che tendono le lame. Sostituire le lame controllando che siano ben posizionate nella sporgenza dei bilancieri. Ridistendere le lame serrando le viti **B**, avendo come riferimento per la tensione le lame rimaste sul telaio. Quindi serrare i dadi.

Per non deformare il telaio e non rischiare rotture pericolose, non sostituire più di 1 - 3 lame per volta alternando da sinistra a destra.

Ricominciare la procedura dal punto 6 per il telaio anteriore e rimontare il telaio anteriore e gli elementi di rivestimento.

Collegare la macchina alla rete elettrica, la macchina è pronta.

Verificare attentamente che il tecnico autorizzato registri l'intervento sul libretto di manutenzione al fine di mantenere la garanzia di 5 anni.

9 COMPONENTI DI CONSUMO

Al momento dell'ordine di parti di ricambio, verificare con il tecnico autorizzato di quale parte si tratta in base al catalogo delle parti di ricambio emesso dal fabbricante.

Precisare sempre il codice della macchina indicato sulla targa segnaletica.

Il tecnico effettua gli ordini presso JAC.

9.1 Elenco dei COMPONENTI DI CONSUMO

CODICE ARTICOLO	VERSIONE	MODELLO
7240032	CINGHIA	TUTTE
5690010	PATTINO DI GUIDA 100MM	TUTTE
5690020	LAMELLE DEI TELAI	TUTTE
6110001	COLTELLO JAC 13MM/0,5MM	DURO 450
6110011	COLTELLO JAC 13MM/0,5MM + TEFLON	DURO 450M
6110019	COLTELLO JAC 13MM/0,7MM	DURO 600
5310019	MOLLA PATTINO PREMIPANE	TUTTE
5310026	MOLLA PREMIPANE ANELLO IN PLASTICA	TUTTE
5690151	PATTINO PREMIPANE	TUTTE
6120002	FELTRO SPINGITORE	DURO 450M

Problema	Verifica
La macchina non funziona	Collegare la macchina con un cavo (fig. 2, n. 13).
	Sbloccare l'arresto d'emergenza (fig. 1, n.10).
	Chiudere il coperchio.
	Chiudere lo sportello.
La macchina funziona, ma le forme di pane sono danneggiate o tagliate in modo irregolare	Verificare se occorre sostituire le lame (fig. 5, 6).
	Lasciar raffreddare la forma di pane per alcune ore.
	Introdurre una forma di dimensioni accettate.
	Introdurre una forma molto soda.
	Se le lame sono disallineate, regolare le lame e i telai.
Il pane vibra tra le lame	Se le lame sono disallineate, regolare le lame e i telai.
Il pane si taglia troppo lentamente	Verificare se occorre sostituire le lame (fig. 5, 6).
	Verificare se le molle del premipane sono nella posizione corretta (fig. 8, n. 19).
Il pane si strappa	Se le lame sono disallineate, regolare le lame e i telai.
	Verificare se le molle del premipane sono nella posizione corretta (fig. 8, n. 19).
Il pane esce molto lentamente o rimane tra le lame	Verificare se le molle del premipane sono nella posizione corretta (fig. 8, n. 19).
Il pane è schiacciato all'uscita dalle lame	Togliere una molla del premipane e ricominciare la prova (fig. 8, n. 19).

ATTENZIONE: Per ogni intervento, la macchina deve obbligatoriamente essere scollegata dall'alimentazione.



Se il problema persiste, contattare il proprio tecnico.

11 ELENCO DEI COMPONENTI INDICATI NELLE FIGURE

Figura	Numero	Nome
1	1	insacchettatrice
	2	Cuffia
	3	Lame
	4	Premipane
	5	Spingipane
	6	Ripiano anteriore
	7	Cassetto raccogli-briciole
	8	Leva
	9	Rotelle della cuffia
	10	Pulsante di arresto d'emergenza
	11	Ruota
2	12	Carrello
	13	Cavo di alimentazione
3	14	Ripiano posteriore
	15	Zona di lavoro
7	16	Segnaletica "rischio di taglio"
	17	Schema elettrico
	18	Segnaletica "rischio di folgorazione"
8	19	Molla del premipane amovibile
9	20	Riscontro regolabile dell'insacchettatrice
11	21	Ripiano ribaltabile Misch
	22	Interruttore di sicurezza ripiano Misch
	23	Pulsante di messa in funzione Misch
	24	Contatore di tagli Misch
12	25	Soffiatrice ASP
	26	Interruttore della soffiatrice
13	27	Interruttore di sicurezza coperchio

90	1	قبل التشغيل
90	2	الضمان
90	3	تنبيهات
92	4	المواصفات الفنية
92	4.1	المواصفات الفنية
92	4.2	تفاصيل الخامات الملامسة للخبز
93	5	التركيب والتشغيل
93	5.1	فك تنظيف الآلة
93	5.2	الموضع
93	5.3	التوصيل الكهربى
94	5.4	التشغيل
94	5.5	خطر
94	6	جهاز التحكم والأمان
94	6.1	جهاز التحكم
94	6.2	منطقة عمل
94	6.3	أجهزة الأمان
95	7	الاستخدام
95	8	الصيانة
95	8.1	يومية بواسطة مستخدم مُدرّب
95	8.2	كل 25000 مرة تقطع للخبز و /أو مرة واحدة على الأقل كل عام بواسطة وكيل معتمد
96	8.3	تغيير الشفرات
97	9	قطع المستهلكات
97	9.1	قائمة بالمستهلكات
98	10	الأحداث العارضة أثناء التشغيل
99	11	قائمة بالمكونات الموجودة في الأشكال

نشكركم لاختياركم حلول JAC. تأكد من قراءة دليل الاستخدام هذا قبل تركيب وتشغيل هذه الآلة. يمكنك أن تحمي نفسك وتجنب هكذا أن تتلف الآلة .

يشير هذا الدليل إلى أشكال مختلفة من أجل تسهيل فهم التعليمات. هذه الأشكال موجودة في نهاية هذا الدليل. يرجى الرجوع إليها ما إن ترى الرموز التالية) شكل كذا، ورقم كذا).

من أجل أن تكون راضيًا تمامًا عن أداء هذه الآلة خلال السنوات القادمة، ندعوك إلى الاطلاع على النصائح التالية:

-استعن بوكيل معتمد من أجل التركيب والتشغيل والمتابعة .

-من أجل الاستفادة من الضمان ومدته 5 سنوات) انظر الشروط المذكورة بعد)، قم بواسطة الموزع، باستكمال دفتر الصيانة أثناء تركيب الآلة. يوجد دفتر الصيانة خلف الآلة.

تقدم شركة JAC ضمانًا على كل منتجاتها مدته 5 سنوات.

يسري هذا الضمان على كل قطع الآلة، بما فيها القطع الإلكترونية، دون المستهلكات. يسري الضمان من تاريخ تركيب المعدة.



بحسب الشروط المقيدة التالية:

-تم شراء المعدة من موزع معتمد؛

-تم التركيب بمعرفة وكيل معتمد؛

-استخدام المعدة وفقًا لتعليمات دليل الاستخدام وفي الغرض التي صنعتت من أجل؛

-يتم صيانة المعدة يوميًا وفقًا لإرشادات دليل الاستخدام؛

-يتابع الصيانة الوكيل المعتمد وفقًا لشروط الصيانة، مع إجراء الصيانة مرة في العام، على الأقل) الصيانة على حساب المستخدم).

-الاستخدام الحصري لقطع الغيار الأصلية من JAC.

إذا لم توجد صيانة من وكيل معتمد و/أو أن دفتر الصيانة غير مكتمل بشكل صحيح، تقتصر فترة الضمان على عام واحدة.



علمًا بأن الضمان لا يشمل:

-استبدال المستهلكات) فقرة 9)؛

-قطع الغيار التي لم يقر قسم الخدمة الفنية بأنها تالفة؛

-المشكلات الناجمة عن الاستخدام غير السليم للمعدة؛

-المشكلات الناجمة عن تركيب لم يتم بمعرفة وكيل معتمد؛

-قطع الغيار أو المشكلات الناجمة عن تلف أثناء النقل أو المناولة غير المناسبة.

ليس من شأن الإصلاح و/أو الاستبدال لقطع الغيار التالفة الذي يتم خلال مدة الضمان أن يمدد هذا الضمان.

من المهم جدًا حفظ دليل الاستخدام هذا مع الجهاز للاطلاع عليه في المستقبل. إذا كان سيتم بيع أو نقل هذا الجهاز إلى شخص آخر، فتأكد أن يتم إعطاء دليل الاستخدام هذا بحيث يستطيع المستخدم معرفة تشغيله والتنبيهات المتعلقة به.

تم إعطاء هذه التنبيهات حرصًا على سلامتك وعلى سلامة الآخرين. الرجاء قراءتها بانتباه قبل تركيب واستخدام الجهاز.



تم تصميم هذه الآلة لكي يستخدمها أشخاص بالغون مسموح لهم باستخدامها. يرجى ألا يلمسها الأطفال أو أن يستخدموها كلعبة.
هذه الآلة مخصصة حصرياً للاستخدام المهني.

من الخطر تعديل أو محاولة تعديل مواصفات هذه الآلة.

بعد تركيب الآلة، تأكد أنها لا تستند إلى كابل كهرباء.

اتبع التعليمات المعطاة من أجل الاستخدام.

يجب تخزين واستخدام هذه الآلة داخل مكان بعيد عن الرطوبة والحرارة.

يجب أن يكون هناك إضاءة كافية لهذه الآلة للقيام بالعمل.

مستوى صوت هذه الآلة أقل من 75 ديسيبل وفقاً للمعيار EN ISO 3744.

يجب أن يستخدم هذه الآلة شخص واحد في الوقت الواحد (ما لم يوجد تعليمات مخالفة).

هذه الآلة مخصصة لتقطيع الخبز الناضج والمعتدل الحرارة.

هذه الآلة غير مخصصة لأنواع الخبز والخامات التالية:

- الخبز الساخن، والخبز البانت
- الخبز المجمد، أو الذي تم إزالة تجميده جزئياً
- الخبز الكامل بقشرة صلبة وأنواع أخرى من الخبز ذات القشرة الصلبة
- خبز الجواردار
- منتجات غير غذائية مثل الخشب والبلاستيك والخامات الشبيهة
- أي طعام لا ينتمي إلى فئة الخبز أو الكعك

يمكن أن تتلف الآلة أثناء قطع الخبز أو الخامات غير المصرح بها .

أفضل دائماً التيار الكهربائي قبل القيام بالتنظيف الداخلي/الخارجي للجهاز وقبل عمليات الصيانة.

هذا الجهاز ثقيل الوزن. اتخذ كل احتياطات الأمان أثناء مناولته.



4.1 المواصفات الفنية

DURO 600	DURO 450 M	DURO 450	
1243	1243	1243	الارتفاع (مم)
843	663	663	العرض (مم)
760	760	760	العمق (مم)
320	320	320	عرض قناة الإدخال (مم)
590	590	590	عرض قناة الإدخال (مم)
160	160	160	ارتفاع قناة الإدخال (مم)
800 × 860 × 1600	800 × 860 × 1600	800 × 860 × 1600	الحجم (مم)
175	165	150	الوزن الصافي (كجم)
195	185	170	الوزن الصافي + عبوة التغليف (كجم)
0.49	0.49	0.49	قوة الموتور (كيلو واط)
أحادي الطور أو ثلاثي الأطوار (1 فازة أو 3 فازة)	أحادي الطور أو ثلاثي الأطوار (1 فازة أو 3 فازة)	أحادي الطور أو ثلاثي الأطوار (1 فازة أو 3 فازة)	نوع المحرك
5	5	5	220 فولت 50 - هرتز (A)
3.2	3.2	3.2	380 فولت 50 - هرتز (A)
200 < 500	200 < 500	200 < 500	سعة (الخبز/ساعة)
< 75	< 75	< 75	المستوى الصوتي (ديسيبل)

اختياري	موتور أقوى
اختياري	نافخ مكبس
اختياري	ارتفاع إضافي قدره 4 سم
اختياري	ارتفاع إضافي قدره 8 سم
اختياري	غطاء أمان خلفي
اختياري	شريحة مزدوجة
اختياري	عداد يومي
اختياري	لون خاص
اختياري	سكاكين خاصة

4.2 تفاصيل الخامات الملائمة للخبز

- منضدة إدخال: فولاذ مقاوم للصدأ 430
- دفع قطع الخبز: فولاذ مقاوم للصدأ 430
- مكبس خبز فولاذ مقاوم للصدأ 430
- الشفرات: الصلب
- منضدة إخراج: فولاذ مقاوم للصدأ 430
- جهاز التكييس: فولاذ مقاوم للصدأ 430

5.1 فك تغليف الآلة:

تُباع الآلات، عند خروجها من ورشنا، على ألواح، ومربوطة بأشرطة ومحمية بورق الكرتون. قبل القيام بأي شيء، يجب فحص العبوة وإبلاغ شركة التوصيل مباشرة بأي تلف ناتج عن النقل.

- اسحب الكرتونة وكذلك كيس تغليف الآلة.
 - انزع الأشرطة مع الانتباه بشكل خاص إلى ارتخاء هذه الأخيرة أثناء قطعها.
 - افصل الجهاز عن الألواح بأن تنزع الشرائح الخشبية التي تعرقل حركة العجلات.
 - أنزل الآلة من على اللوح. احرص على أن يقوم شخصان على الأقل بهذا الأمر من أجل تخفيف التلامس مع الأرض بشكل أفضل.
 - يُرجى تركيب المصد القابل للضبط للجهاز التكييس على جهاز التكييس. (fig.10 n°20)
- بعد إخراج الآلة من الكرتون، تحقق أنها لم تتعرض للتلف أثناء النقل. وأبلغنا بأي عطب.

5.2 الموضوع:

للحصول على أداء ممتاز وفعالية على المدى الطويل، اختر موضوعًا:
جيد التهوية، وبعيدًا عن أشعة الشمس المباشرة وبعيدًا عن مصادر الحرارة مع سطح قوي وخالي من الاهتزازات.

5.3 التوصيل الكهربى:

- هام: توصيل الطرف الأرضي الزامي.
يُنصح بحماية التمديدات الكهربائية بمنصهر وقاطع تيار تفاضلي.
- يجب حماية التمديدات الكهربائية التي تُغذي الآلة كما هو مُبين أدناه:
-أمريكا الشمالية: حماية 15 أمبير؛
بقية دول العالم: حماية 16 أمبير.
بالنسبة للآلات المجهزة بمُغيّر كهربائي، يجب توصيله على غلبة التفريغ على خط مجهز بقاطع تيار تفاضلي 300 ملي أمبير.
ملحوظة: أي مشكلة ناجمة عن التوصيل بشكل آخر لن يشملها الضمان.

قبل توصيل الآلة على شبكة الكهرباء ومن أجل تجنب وقف تشغيل الموتور عند توصيله بالكهرباء، من المهم التحقق من توافق شبكة الكهرباء مع مواصفات الآلة) انظر لوحة البيانات لهذه الآلة).

يتوافق هذا الجهاز مع التعليمات الخاصة بالآلات 2006/42 و 2006/95 و 2004/108 ويحمل علامة CE التي تشهد بذلك.

يرجى الاطلاع على الصور التوضيحية المتعلقة بالأمان الموجودة على الآلة:

صورة توضيحية تُشير إلى خطر حدوث جرح. سوف تجدها في مقدمة الآلة حول منطقة وضع الخبز، (fig.7, n°16).





سوف تجد الرسم التخطيطي الكهربائي للآلة على ظهر باب الصندوق الكهربائي (fig.7, n°17) .

صورة توضيحية تُشير إلى خطر الصعق بالكهرباء. يُرجى فصل الكهرباء عن الآلة قبل أي إصلاح لها. سوف تجدها خلف الآلة بالقرب من كابل التغذية وداخل الآلة على الصندوق الكهربائي (fig.7, n°18) .

5.4 التشغيل:

قبل التشغيل، تأكد من عدم وجود أي شيء دخيل على الأجزاء المتحركة للآلة.

لاستخدام الآلة، راجع فصل "الاستخدام".

5.5 خطر:

في حالة وجود خطر على المستخدم أو على الآلة، يجب عليك أن تستخدم مفتاح القطع العمومي لفصل التيار الكهربائي عن الآلة.

اسحب القابض من المقبس الكهربائي قبل القيام بأي عملية صيانة وفحص؛
لا تلمس الشفرة، حتى أثناء التوقف.

عند تغيير الشفرة، اطلب من الموزع المعتمد أن يقوم هو بالعملية.

احرص على ارتداء قفازات حماية من الجروح أثناء استبدال الشفرة أو أثناء القيام بعملية قريبة من الشفرة.

أي عملية صيانة أو استبدال قطعة عيار يجب أن تتم بواسطة شخص مؤهل.

6 جهاز التحكم والأمان

6.1 جهاز التحكم:

القطاع مزودة على التوالي بزر إيقاف في حالة الطوارئ
يمكن تجهيز القطاع بزر تشغيل (BEF – BEM) اختياريًا (fig.11, n°23)

6.2 منطقة عمل:

توجد منطقة العمل أمام الآلة (fig.3 n°15)

6.3 أجهزة الأمان:

هذه الآلة مجهزة بـ:

ذراع تُشغّل الآلة وقطع الخبز. ترك الذراع توقف الآلة .

مفتاح أمان لقطع التيار الذي يمنع الآلة من العمل عندما تكون المنضدة الأمامية للآلة من طراز Misch في وضع مفتوح (fig.11, n°22)

مفتاح أمان لقطع التيار الذي يمنع الآلة من العمل عندما يكون غطاء الآلة (الآلة المزودة بغطاء خلفي) مفتوحًا (fig.13, n°27)

من أجل الاستعمال، يجب قفل العجلات الصغيرة المزودة بفرملة. (fig.1 n°11)

في بداية اليوم، وصل الآلة بالكهرباء باستخدام زر الإيقاف في حالة الطوارئ. (fig.1, n°10)
بعد توصيل التيار الكهربائي باستخدام زر الإيقاف في حالة الطوارئ وإذا كانت الآلة مجهزة بنظام التريبت (Misch (BEF - BEM) من الضروري الضغط على زر تشغيل السكاكين (fig.2, n°14) من أجل تحرير دافع قطع الخبز من الشفرات .

خطوات الاستخدام (fig.4)

- اجذب الذراع ناحيتك. إذا كانت الآلة مزودة بغطاء خلفي اختياري (BET - BEG ETL - BEG) ، فإنه يفتح ألياً مع تشغيل الذراع .
- مع الإبقاء على الذراع مشدودة، ضع الخبز على المنضدة الخلفية (fig.3 n°14) ، بين الشفرات والجزء المتحرك.
- اترك الذراع يرفق. هذا الفعل من شأنه دفع الخبز عبر الشفرات. بعد ترك الذراع الكامل، استعد الخبز مقطّعاً.

في نهاية اليوم، اضغط على زر الإيقاف في حالة الطوارئ الأحمر (fig.1 n°10) لفصل التيار عن الآلة.

نصيحة: بعد الأيام الأولى من التشغيل، افحص شد الشفرات بواسطة شخص مؤهل.

السعة: عدد قطع الخبز المقطعة في اليوم) 6.000: وفقاً لنوع الخبز.
مقاسات قطعة الخبز) طول × عرض × ارتفاع (سم):
حد أدنى - 6 × 6 × 12 حد أقصى) 16 × 31 × 44 على قطاعة خبز بعرض (450
حد أدنى - 6 × 6 × 12 حد أقصى) 16 × 31 × 58 على قطاعة خبز بعرض (600

8 الصيانة

8.1 يومية بواسطة مستخدم مُدرّب.

- تحقق إذا كان يجب عليك تفريغ وعاء الفئات (fig.1 n°7)
- قم بتنظيف المناضد (fig.3 n°14) (fig.1 n°6) باستخدام فرشاة
- استخدم قطعة قماش جافة للتنظيف من الداخل
- بالنسبة للعناية الخارجية، استخدم قطعة قماش رطبة

8.2 كل 25000 مرة تقطيع للخبز و /أو مرة واحدة على الأقل كل عام بواسطة وكيل معتمد.

اسحب القابض من مقيس الكهرباء (fig.2 n°13)
تحقق من حالة شفرات القطع. (fig.1 n°3)
إذا لاحظت انخفاض جودة القطع، فيجب القيام باستبدال شفرات القطع) الرقم المسلسل لدى شركة JAC: 610026 من كتالوج قطع الغيار (JAC)
إذا كان لا بد من تغييرها، فاستبدل الشفرات وفقاً لإجراء تغيير شفرات القطع (6, fig.5).
ملحوظة: لا تشد الشفرات زيادة عن اللازم، لوجود خطر تشويه الإطارات.
قم بالتنظيف باستخدام فرشاة واشطف داخل الآلة.
تحقق من حالة رولمان البلي، ثم قم بتشحيمها بعد ذلك.
قم بتشحيم مفصلات أسطوانة الباب.

تأكد من أن الوكيل المعتمد يقوم بتسجيل زيارته في دفتر الصيانة من أجل الحفاظ على ضمان الـ 5 سنوات.

تكملة الصيانة بالنسبة للموديلات المزودة بنظام تريبت

الزيت المستخدم هو) 7940019: كما هو مذكور في كتالوج " JAC قطع الغيار"
أو زيت طعام نباتي سائل مع مضاد للأكسدة طبيعي

كل 1000 قطعة أو كل 15 يوماً، بواسطة مُستخدم مُدرّب:

أضف كمية زيت الطعام (100) إلى 150 ملم (اللزامة لتبليط لباد العربية) قم بتشغيل زر تقديم العربية من أجل السماح بالوصول إلى زر التغذية بالزيت؛

كل 25000 مرة تقطيع للخبز و /أو مرة واحدة على الأقل كل عام بواسطة وكيل معتمد:
اسحب القابض من مقبس الكهرباء؛
استبدال لباد الزر الانضغاطي

8.3 تغيير الشفرات.

احرص دائماً على ارتداء قفازات حماية من الجروح) معيار EN 388: 2003 مؤشر (B=5) وأحذية أمان أثناء استبدال الشفرة أو أثناء عملية قريبة من الشفرة.
تأكد أن قابس الآلة (fig.2 n°13) مفصولاً جيداً عن التيار الكهربائي.

آلات غير طراز Misch (BEF – BEH – BEL – BEL ETL – BER – BEZ)

(fig.5)

- قم بفك البرغيين للمنضدة الخلفية وقم بتمريرها نحو الخلف من أجل إخراج المنضدة الأمامية
- قم بفك جهاز التكييس باستخدام الترس الأيسر والترس الأيمن وقم بفك برغيي الغطاء
- افتح الغطاء وقم بفك برغي المنضدة الأمامية
- اسحب المنضدة الأمامية
- على الجزء العلوي للإطار الأمامي، قم بفك البراغي **A** التي تثبت الإطار بصفائح البولي بروبيلين) لا تقم مطلقاً بفك صفائح الضبط في الهيكل، فقد تقوم بتعديل ضبط المصنع.
- قم بإزالة الإطار نحو الأمام. استبدل شفرات الإطار الخلفي) ضع ما من شأنه الحماية على شفرات الإطار الأمامي. (قم بفك البراغي **B** السداسية المجوفة التي تشد الشفرات. استبدل الشفرات مع مراقبة أن تكون موضوعة جيداً في ظفر الأذرع المتأرجحة. أعد شد الشفرات بأن تشد البراغي **B**، وتكون الشفرات التي ظلت في الإطار هي بمثابة دليل للشد .

آلات Misch (BEG – BEG ETL – BET – BEM)

(fig.6)

- شد الذراع ناحيتك من أجل وضع دفع الخبز خلف الآلة واضغط اللسبني الذي يتيح حجز مكبس الخبز للخلف .
- قم بفك البرغيين للمنضدة الخلفية وقم بتمرير المنضدة الخلفية من أجل إخراج المنضدة الأمامية
- قم بفك جهاز التكييس باستخدام الترس الأيسر والترس الأيمن وقم بفك برغيي الغطاء
- افتح الغطاء وقم بفك برغي المنضدة الأمامية
- اسحب المنضدة الأمامية
- على الجزء العلوي للإطار الأمامي، قم بفك البراغي **A** التي تثبت الإطار بصفائح البولي بروبيلين) لا تقم مطلقاً بفك صفائح الضبط في الهيكل، فقد تقوم بتعديل ضبط المصنع.
- قم بإزالة الإطار نحو الأمام. استبدل شفرات الإطار الخلفي) ضع ما من شأنه الحماية على شفرات الإطار الأمامي. (قم بفك صواميل الزنق المربوطة على البراغي **B**. قم بفك البراغي **B** السداسية المجوفة التي تشد الشفرات. استبدل الشفرات مع مراقبة أن تكون موضوعة جيداً في ظفر الأذرع المتأرجحة. أعد شد الشفرات بأن تشد البراغي **B**، وتكون الشفرات التي ظلت في الإطار هي بمثابة دليل للشد. ثم شد الصواميل.

من أجل عدم تشويه الإطار وعدم المخاطرة بتكسیر خطير، لا تستبدل إلا 1 إلى 3 شفرات في المرة الواحدة مع التناوب من اليسار إلى اليمين.

كرر الإجراء من النقطة 6 بالنسبة للإطار الأمامي وأعد تركيب الإطار الأمامي وكذلك عناصر الهيكل .

قم بتوصيل الآلة بالتيار الكهربائي، فتكون الآلة جاهزة.

تأكد من أن الوكيل المعتمد يقوم بتسجيل زيارته في دفتر الصيانة من أجل الحفاظ على ضمان الـ 5 سنوات.



أثناء طلب قطعة غيار، تأكد مع الوكيل المعتمد بشأن القطعة المطلوبة على أساس كتالوج قطع الغيار الذي أصدره الصانع. حدد دائمًا رقم الآلة كما هو مبين على لوحة البيانات. ويقوم الوكيل بعمل الطلبات لدى شركة JAC.

9.1 قائمة بالمستهلكات

النموذج	التوصيف الجدي	رمز الصنف
ALL	BELT	7240032
ALL	SLIDE PAD, 100 MM	5690010
ALL	FRAME STRIP	5690020
DURO 450	JAC KNIFE, 13 MM/0.5 MM	6110001
DURO 450M	JAC KNIFE, 13 MM/0.5 MM + TEFLON	6110011
DURO 600	JAC KNIFE, 13 MM/0.7 MM	6110019
ALL	LOAF HOLDER SPRING	5310019
ALL	LOAF HOLDER SPRING PLASTIC RING	5310026
ALL	LOAF HOLDER PAD	5690151
DURO 450M	PUSHER FELT PAD	6120002

التحقق	المشكلة
قم بتوصيل الآلة باستخدام الكابل (fig.2 n°13)	الآلة لا تدور
قم بفتح زر الإيقاف في حالة الطوارئ (fig.1 n°10)	
أغلق الغطاء	
أغلق الباب	
تحقق إذا كان يجب استبدال الشفرات (fig.5,6)	الآلة تعمل، لكن الخبز تالف أو مُقطع بطريفة غير متساوية
اترك الخبز يبرد لعدة ساعات	
ضع الخبز بالمقاسات المقبولة	
ضع خبزًا إلى حد ما ناشفًا	
إذا كانت الشفرات غير متساوية، فاضبط الشفرات والإطارات	الخبز يهتز في الشفرات
إذا كانت الشفرات غير متساوية، فاضبط الشفرات والإطارات	الخبز ينقطع ببطء شديد
تحقق إذا كان يجب استبدال الشفرات (fig.5,6)	
تحقق إذا كانت نوايض مكبس الخبز في مكانها (fig.8, n°19)	الخبز يتمزق
إذا كانت الشفرات غير متساوية، فاضبط الشفرات والإطارات	
تحقق إذا كانت نوايض مكبس الخبز في مكانها (fig.8, n°19)	الخبز يخرج ببطء شديد أو يظل في الشفرات
تحقق إذا كانت نوايض مكبس الخبز في مكانها (fig.8, n°19)	
انزع نايضًا من مكبس الخبز وكرر الاختبار (fig.8, n°19)	الخبز منسحق عن خروجه من الشفرات

انتبه: قبل القيام بأية إصلاحات، يجب فصل التيار عن الآلة.

إذا استمرت المشكلة بعد ذلك، فيرجى الاتصال بالفني.



شکل	الرقم	الاسم
1	1	جهاز التكبیس
	2	الغطاء
	3	الشفرات
	4	مكبس خبز
	5	دفع قطع الخبز
	6	منضدة أمامية
	7	وعاء فتات الخبز
	8	ذراع
	9	ترس الغطاء
	10	زر الإيقاف في حالة الطوارئ
2	11	عجلة
	12	عربة
3	13	كابل الكهرباء
	14	منضدة خلفية
7	15	منطقة عمل
	16	صورة توضيحية "خطر حدوث جرح"
	17	رسم تخطيطي كهربی
8	18	صورة توضيحية "خطر الصعق بالكهرباء"
	19	نابض مكبس الخبز القابل للفك
9	20	مصد جهاز التكبیس القابل للضبط
	21	منضدة Misch القابلة للخفض
11	22	مفتاح أمان لقطع التيار عن منضدة Misch
	23	زر تشغيل Misch
	24	عداد تقطیع Misch
12	25	نافع ASP
	26	مفتاح قطع تيار لجهاز النفخ
13	27	مفتاح أمان لقطع التيار في الغطاء

fig.1

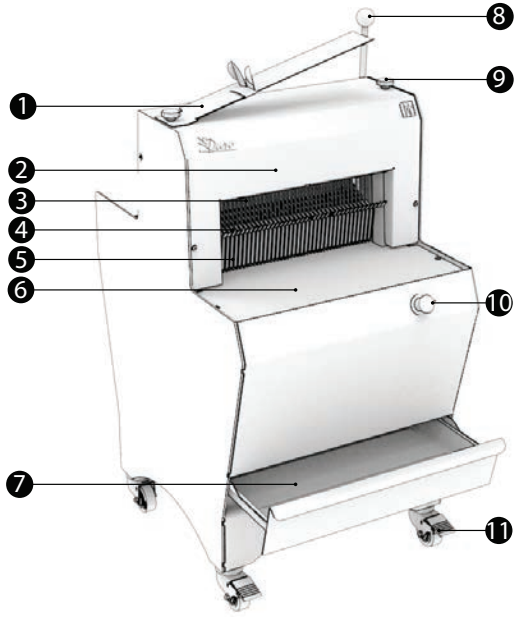


fig.2

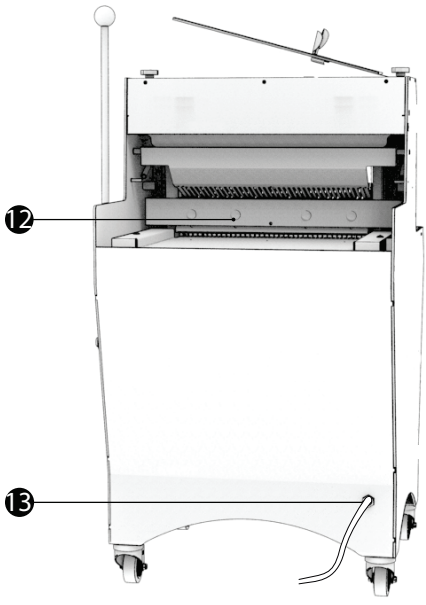


fig.3

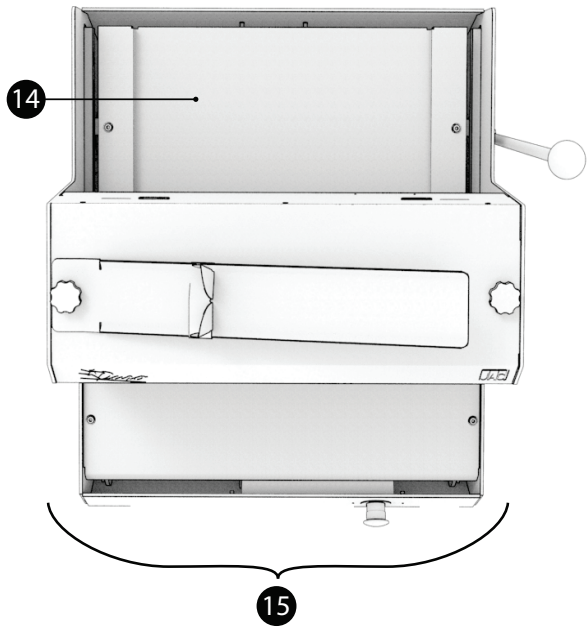


fig.4

BEF - BEH - BEL - BEL ETL - BER - BEZ

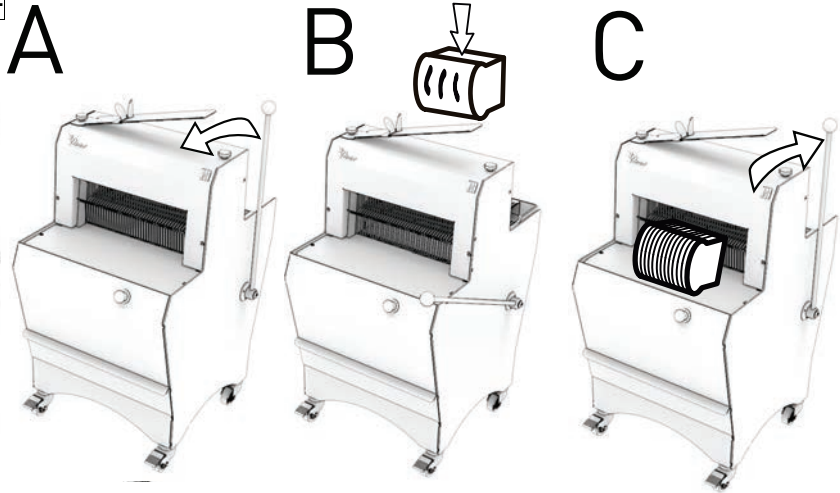


fig.5

BEF – BEH – BEL – BEL ETL – BER – BEZ

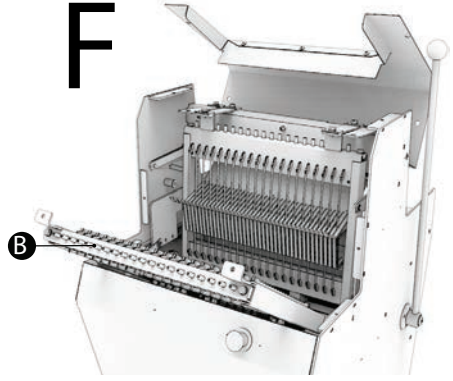
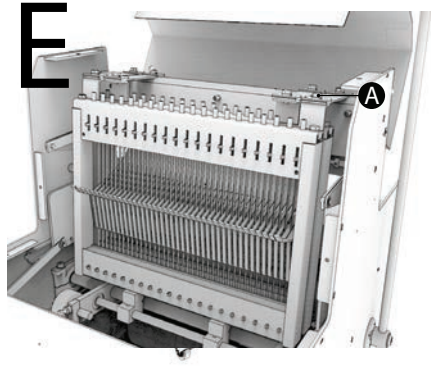
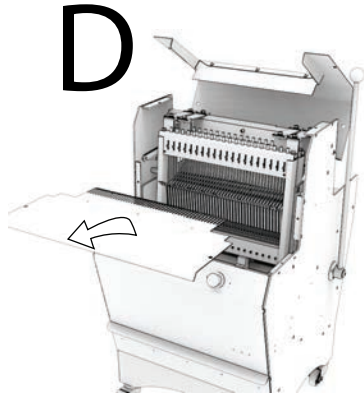
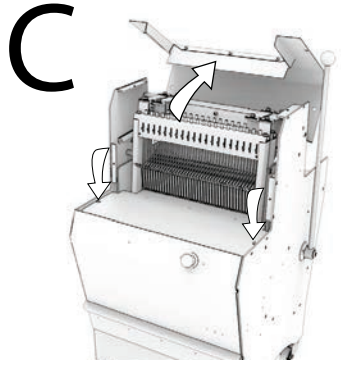
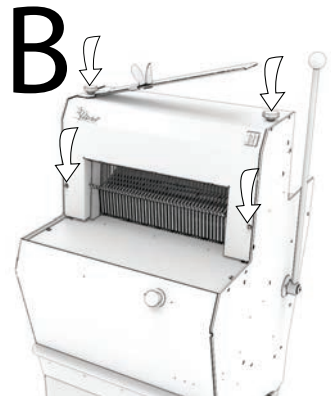
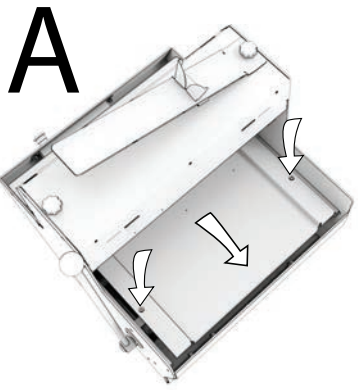
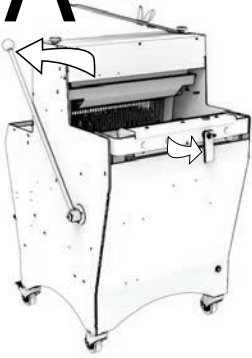


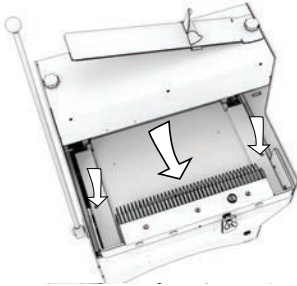
fig.6

BEG – BEG ETL – BET - BEM

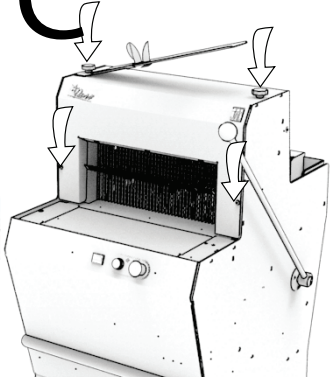
A



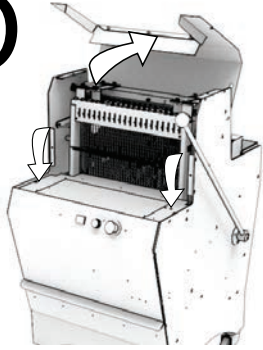
B



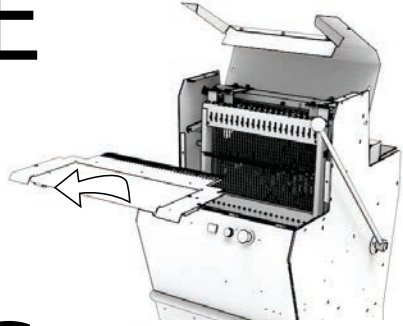
C



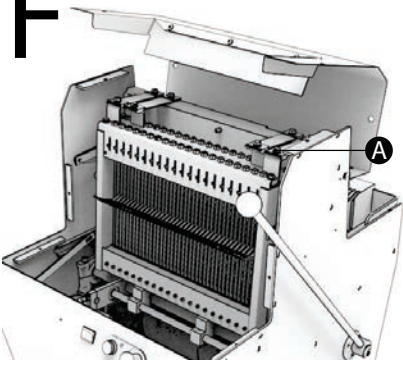
D



E



F



G

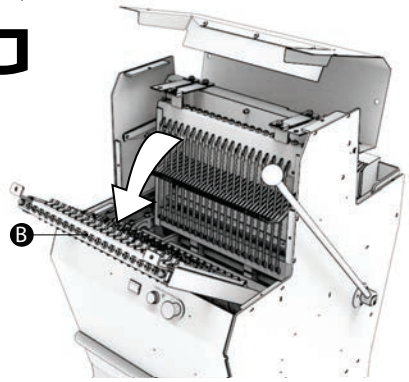


fig.7

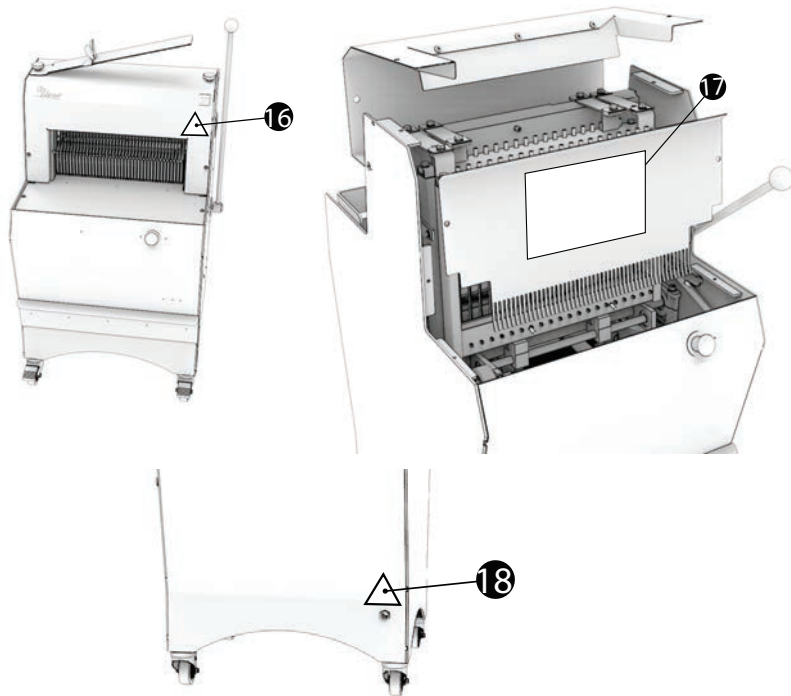


Fig.8

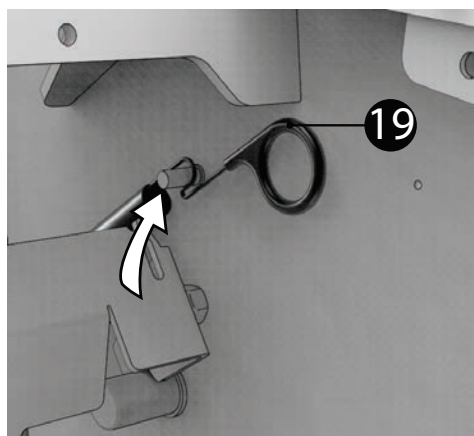


fig.9

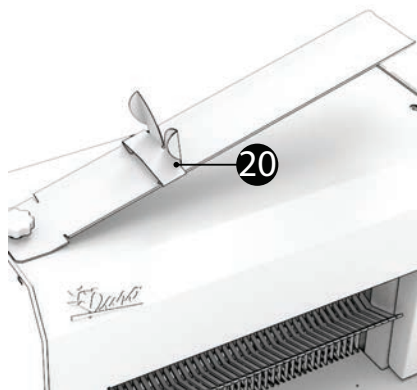


fig.11

BEF - BEM

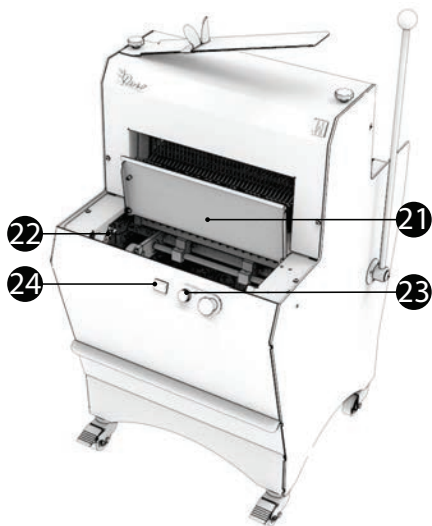


fig.12

BEF - BET - BEZ ETL

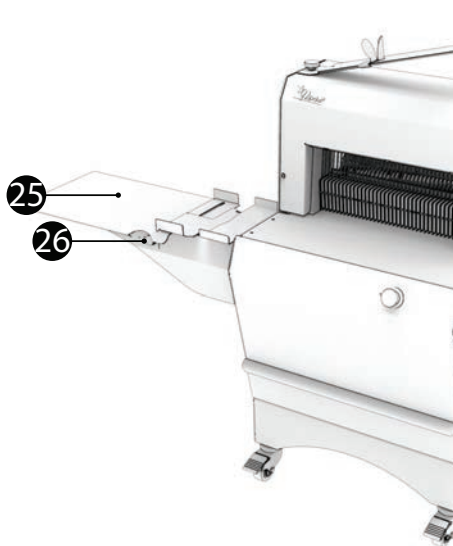


fig.13

BEG - BEG ETL - BET





Traditionally Innovative

CONFORMITY CERTIFICATE TO THE EUROPEAN DIRECTIVES.
CERTIFICAT DE CONFORMITE AUX DIRECTIVES EUROPEENNES.
KONFORMITÄTSZEUGNIS AN DIE EUROPÄISCHEN RICHTLINIEN.
GETUIGSCHRIFT VAN OVEREENSTEMMING MET DE EUROPESE RICHTLIJNEN.
CERTIFICATO DI CONFORMITÀ ALLE DIRETTIVE EUROPEE.
CERTIFICADO DE CONFORMIDAD CON LAS DIRECTIVAS EUROPEAS.
СЕРТИФИКАТ СООТВЕТСТВИЯ ЕВРОПЕЙСИМ ДИРЕКТИВАМ.
شهادة المطابقة مع التعليمات الأوروبية.



- EN** The undersigned certifies that the machine complies with the European Directives 2006/42, 2006/95, 2004/108.
- FR** Le soussigné déclare que cette machine est conforme aux directives européennes 2006/42, 2006/95, 2004/108.
- DE** Unterzeichneter erklärt, daß diese Maschine den Europäischen Richtlinien 2006/42 2006/95, 2004/108.
- NL** Ik ondertekende verklaart dat deze machine in overeenstemming met de Europese richtlijnen 2006/42, 2006/95, 2004/108.
- IT** Il sottoscritto dichiara questa macchina conforme alle ultime versioni delle seguenti direttive europee 2006/42, 2006/95, 2004/108.
- ES** El infrascrito declara que esta máquina es conforme con las directivas europeas 2006/42, 2006/95, 2004/108.
- RU** Нижеподписавшееся лицо заявляет, что данное устройство соответствует европейским директивам 2006/42, 2006/95, 2004/108.
- AR** يقر الموقع أدناه أن هذه الآلة متطابقة مع التعليمات الأوروبية أرقام 2006/42 و 2006/95 و 2004/108.

Last update: 01/2017
Technical files compiled by:
Pierre-Yves DORSIMONT
Verte voie, 49- 51
B-4000 Sclessin
BELGIUM

Complies with the following (parts of)
European Harmonised Standards:
EN 1672-2
EN 1935
EN 60204-1
EN 12100-1
EN 12100-2 §5, §6
EN 13954 if applicable
EN 61000-3-2, -3-3, -6-1, -6-3

B. Van Cauwenberghe
General Manager
JAC s.a.